

FORD
TRANSIT



UPFIT
GUIDE

RANGERTM
DESIGN

Helping Mobile Technicians Work More Effectively by Providing Organized Storage Solutions

At Ranger Design, we believe more is possible.

We believe work vehicles and the technicians that drive them can become more organized, more efficient, more productive and more profitable. At Ranger Design we're committed to bringing you the products and services that make that possible.

More means helping you choose the right work van for your

application, as well as giving you engineering support and expert advice to help design the most efficient work space in your new vehicle.

More also means getting that new van outfitted and on the road faster, so you can start using it for the reason you bought it.

We're committed to bringing you more, because we believe more is possible.



MORE IS POSSIBLE



TABLE OF CONTENTS

CHOOSE A PRODUCT LINE	P. 4
PLAN YOUR VAN OUTFIT	P. 6
GETTING STARTED	P. 8
FLOORS	P. 10
PARTITIONS	P. 12
PACKAGES	P. 18
SHELVING	P. 46
DRAWERS	P. 62
ACCESSORIES	P. 72
LADDER RACKS	P. 83
HOW TO BUY	P. 88
INDEX	P. 90
INSTALL KITS	P. 91

Choose A Product Line To Match Your Needs

Ranger Fleetline and Proline product groups ensure that fleets of any size have the best equipment to fit their budget, trade or fuel saving targets.



Ranger Fleetline shown



Ranger Proline shown

	MATERIAL	BENEFITS	PRODUCTS	WARRANTY
WHY BUY RANGER FLEETLINE? You want better quality and price than other steel products on the market.	Steel	Tough Low cost Quiet	Shelving, Partitions, Drawers, Accessories	3 years*
WHY BUY RANGER PROLINE? You want the toughest, quietest product on the market. You need to optimize payload without sacrificing quality.	Aluminum	Toughest Lightweight Quiet	Shelving, Partitions, Drawers, Accessories, Ladder Racks	10 years*

*Ranger Design Inc. van equipment is warranted to be free from defects in material and workmanship under normal use and service for the period indicated, from the date of the original retail purchase, when installed per Ranger Design instructions in the original vehicle. Please contact Customer Service for full warranty details. Email: cs@rangerdesign.com

Throughout the catalog **FLEETLINE** products are depicted with yellow and **PROLINE** products with black.

1-800-565-5321
7 A.M. – 8 P.M. EST

World Class Customer Service



Real people, ready to answer in 2 rings or less*

We are pleased to offer efficient, personalized service and to answer all questions regarding:

- › Pricing/Quoting
- › Product install
- › Order status
- › Consultation
- › Shipment status
- › New product availability
- › Product specifications
- › Warranty claims
- › Returns/Restocking
- › Vehicle specifications

*Call customer service and the phone will be answered in 2 rings or less. Yes, a real, live person working in one of our offices in North America is available to answer your questions. No automated attendant. No complicated phone tree and offshore service. Call us to experience the difference.

PLAN YOUR VAN OUTFIT

INSIDE ROOF HEIGHT

To determine the maximum shelf height that can be used in the van.

PARTITION DEPTH

This indicates the space taken up by our partition for this vehicle. Please note that this measurement is determined by the partition that encroaches the most. Some partitions may take up less space. Take note that this measurement may not necessarily be on the floor.

DOOR OPENING

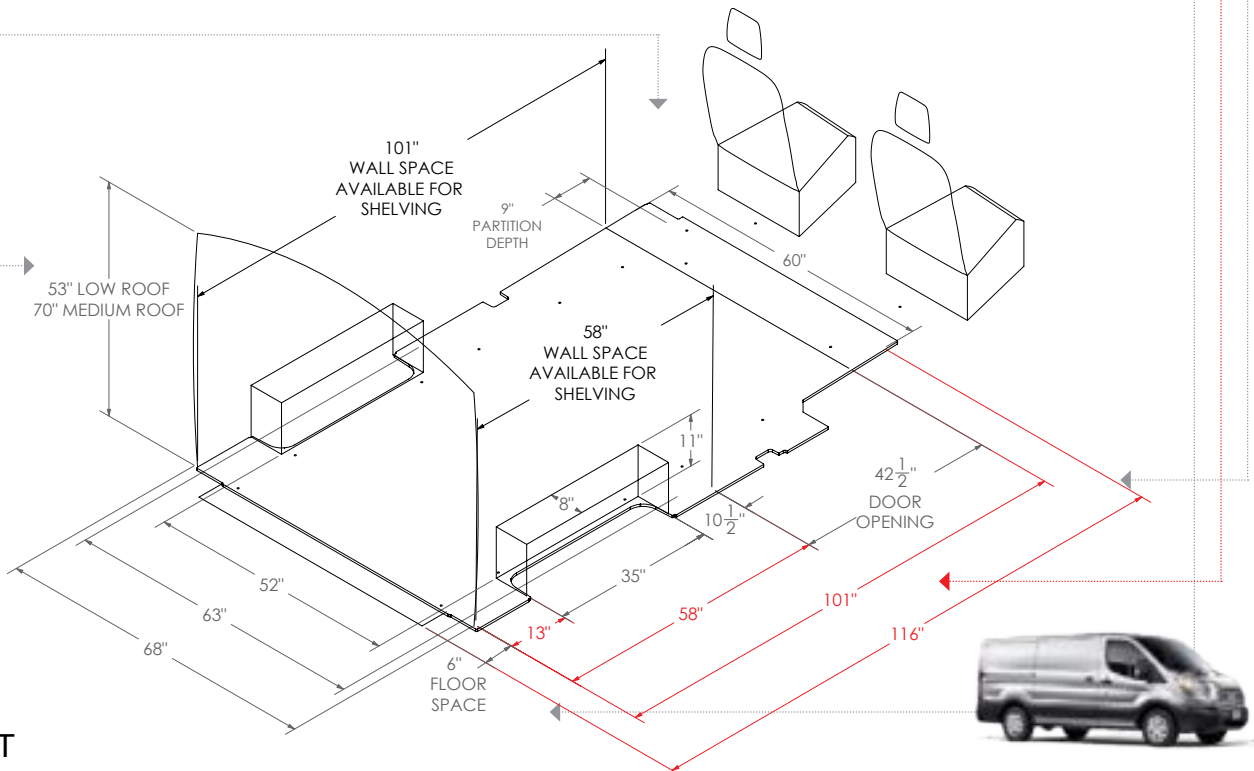
To determine where shelving will land in relation to the door opening. Use this measurement to determine the space available for drawer units.

DIMENSIONS IN RED

These dimensions indicate unique measurements for each wheelbase. Use red dimensions to determine the exact wheelbase of your van.

FLOOR SPACE

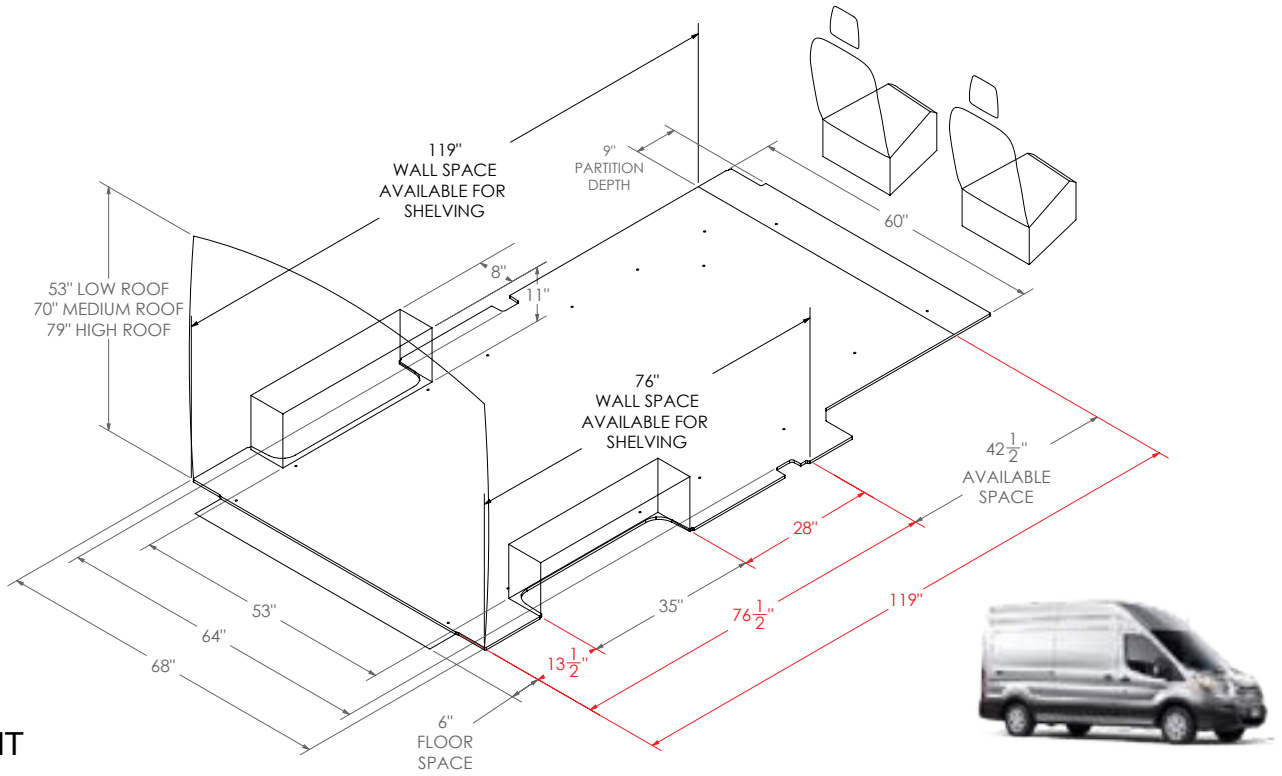
This area is usable floor space but due to curvature of the van there may not be the same available area at the roof. Please measure actual van for specific measurement at roof.



FORD TRANSIT

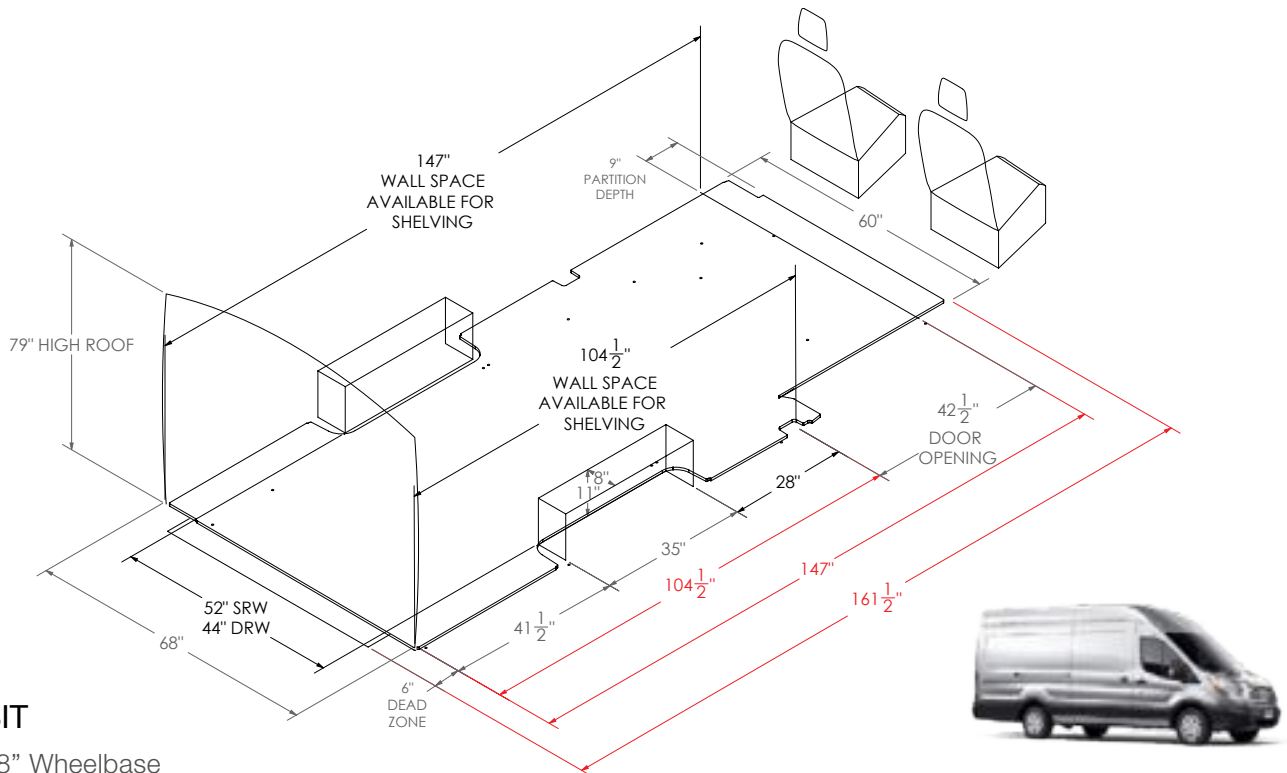
Regular 130" Wheelbase





FORD TRANSIT

Long 148" Wheelbase



FORD TRANSIT

Long 148" Wheelbase Extended

Take a few minutes to write down these simple steps

Plan your storage zones

For how long do you plan to use the vehicle? A year 2–5 years 10 years or more (see page 4)

Will payload capacity be an issue? Yes No Why? _____

What type of industry are you in? _____

What kind of partition do I need?

Do I need to see my cargo or see out the side doors? Yes No

Do I need the ability to go from the cabin to the cargo area through the partition? Yes No

List the equipment/products you will need to store

Place the items that you need most often in the most accessible locations.

	How often will you use this?			Zone
	Daily	Weekly	Monthly	
_____	<input type="checkbox"/>	<input type="checkbox"/>	<input type="checkbox"/>	A-B-C-D-E
_____	<input type="checkbox"/>	<input type="checkbox"/>	<input type="checkbox"/>	_____
_____	<input type="checkbox"/>	<input type="checkbox"/>	<input type="checkbox"/>	_____
_____	<input type="checkbox"/>	<input type="checkbox"/>	<input type="checkbox"/>	_____
_____	<input type="checkbox"/>	<input type="checkbox"/>	<input type="checkbox"/>	_____

Will I need to carry larger objects Yes No

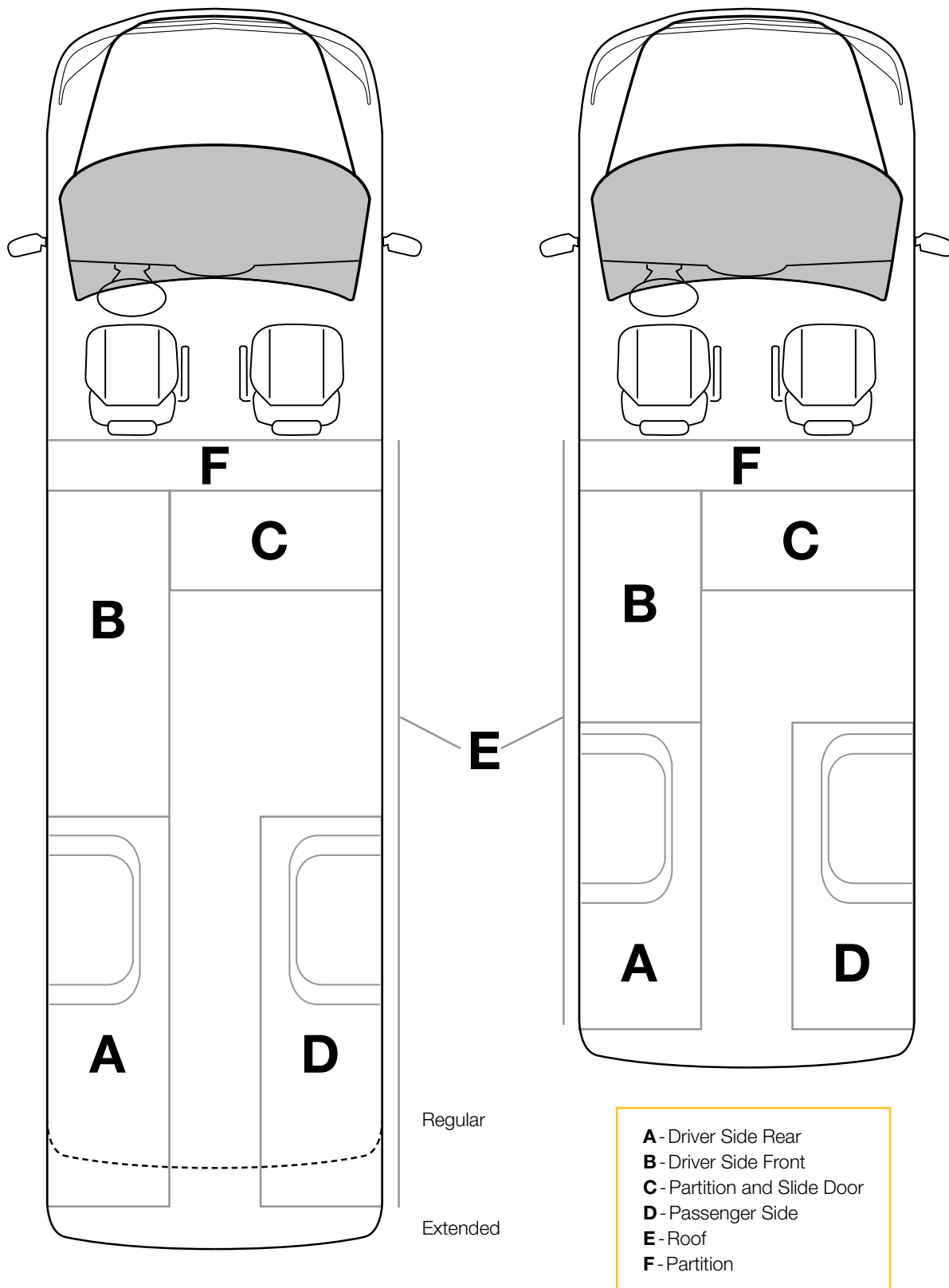
List the tools you will need to carry

Place heavy tools closest to the access doors.

	How often will you use this?			Zone
	Daily	Weekly	Monthly	
_____	<input type="checkbox"/>	<input type="checkbox"/>	<input type="checkbox"/>	A-B-C-D-E
_____	<input type="checkbox"/>	<input type="checkbox"/>	<input type="checkbox"/>	_____
_____	<input type="checkbox"/>	<input type="checkbox"/>	<input type="checkbox"/>	_____
_____	<input type="checkbox"/>	<input type="checkbox"/>	<input type="checkbox"/>	_____
_____	<input type="checkbox"/>	<input type="checkbox"/>	<input type="checkbox"/>	_____

What kind of ladder(s) will I be carrying? Step ladder Extension ladders
 Size _____ Size _____

Storage Zones



IT'S MORE THAN A FLOOR

Ranger Design's unique flooring system with integrated aluminum mounting tracks provide a flush surface, making it easy to install a variety of Ranger Design shelving, equipment and accessories.

Ranger Designs' custom-fit rigid flooring system is available for every type of service van. Designed to provide added safety and quieter ride, these impact and puncture-resistant floors give your van a professional look.

Unique benefits of these flooring products include:

- **Economical** – because the flooring has integrated mounting tracks for the price of a regular floor
- **Safer** – due to the integrated track, improved load distribution and noise reduction
- **Improved van resale value** – durable professional looking and protects the vehicle
- **Efficient** – 3 panel floor installed in 45 minutes by one person and easy to maintain



PROTECTION

The floor protects your vehicle and prevents damage to the factory floor.



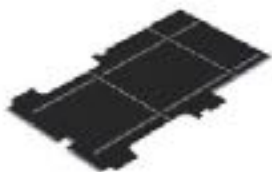
SAFETY

Due to the integrated track, improved load distribution and noise reduction.



EFFICIENCY

Custom-fit easy to install by one person.



6540-FTS

Ford Transit 130" Floor

130"
70 lbs
0,5 hr
Yes



6540-FTL

Ford Transit 148" Floor

148"
84 lbs
0,5 hr
Yes



6540-FTX

Ford Transit 148" Ext

148" Ext
105 lbs
0,5 hr
Yes



Impact and puncture resistant floors preserve the cargo van interior.



SAFETY PARTITIONS

Crash tested safety partitions protect the most important asset: you



SAFE

Designed for maximum impact resistance.
Proven by impact testing.



EFFICIENT

1. Contoured to maintain seat travel and ensure driver comfort. 2. Contoured to capitalize on cargo area floor space.



QUIET

Thickness of material cancels vibrations.

SAFETY PARTITIONS

CONTOURED SAFETY PARTITION P. 14

CONTOURED SAFETY PARTITION WITH TEMPERED WINDOW P. 14

MAX VIEW PARTITION P. 15

STRAIGHT WALK THROUGH PARTITION P. 16

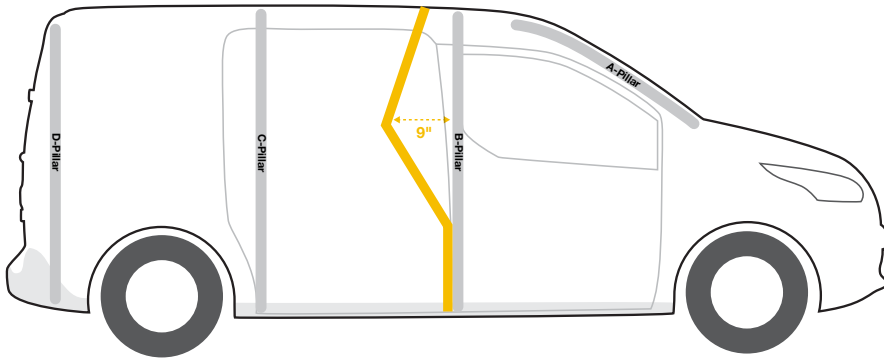
Ranger Design safety partitions provide a solid and secure barrier between the occupants of the van and the cargo.

Built from heavy gauge steel, aluminum and thermoformed ABS and polycarbonate, they are designed for maximum impact resistance and uphold a standard of safety set only by Ranger Design products.

Ranger Design partitions also provide a more comfortable environment for the driver by giving more seat travel and by not rattling as the vehicle drives down the road.



SETBACK FROM B PILLAR



3010-FTL

Contoured Safety Partition

Aluminum

	Low Roof
	46 lbs
	1 hr
	Yes
	7.16"



3010-FTM

Contoured Safety Partition

Aluminum

	Medium Roof
	52 lbs
	1 hr
	Yes
	8.32"



3010-FTH

Contoured Safety Partition

Aluminum

	High Roof
	57 lbs
	1 hr
	Yes
	8.32"



3020-FTL

Contoured Safety Partition with Tempered Glass Window

Aluminum

	Low Roof
	48 lbs
	1 hr
	Yes
	7.16"



3020-FTM

Contoured Safety Partition with Tempered Glass Window

Aluminum

Medium Roof

52 lbs

1 hr

Yes

8.32"



3020-FTH

Contoured Safety Partition with Tempered Glass Window

Aluminum

High Roof

58 lbs

1 hr

Yes

8.32"



3068-FTM

Straight Partition with Tempered Glass Window, Sliding Door

Aluminum

Medium Roof

74 lbs

1.5 hrs

Yes

6.29"



3068-FTH

Straight Partition with Tempered Glass Window, Sliding Door

Aluminum

High Roof

77 lbs

1.5 hrs

Yes

6.29"



3320-FTL

Max View Contoured Safety Partition

Composite

Low Roof

50 lbs

1.5 hrs

No

8"



C10-FTL

Contoured Safety Partition with Perforated Window

Steel

Low Roof

66 lbs

1 hr

Yes

7.11"

SAFETY PARTITIONS

PARTITIONS



C12-FTL

Contoured Safety Partition

Steel

Low Roof

64 lbs

1 hr

Yes

7.11"



C20-FTL

Straight Partition with Perforated Window, No Access

Steel

Low Roof

64 lbs

1 hr

Yes

3.76"



C20-FTM

Straight Partition with Perforated Window, No Access

Steel

Medium Roof

77 lbs

1 hr

Yes

4.76"



C20-FTH

Straight Partition with Perforated Window, No Access

Steel

High Roof

84 lbs

1 hr

Yes

4.76"



C24-FTL

Straight Walk Through Partition

Steel

Low Roof

49 lbs

1.2 hrs

Yes

3.76"



C24-FTM

Straight Walk Through Partition

Steel

Medium Roof

58 lbs

1.2 hrs

Yes

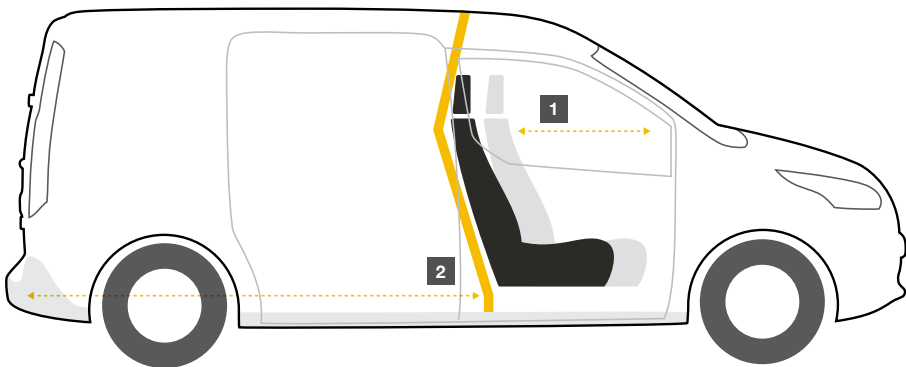
4.76"



C24-FTH
Straight Walk Through Partition

Steel	
	High Roof
	65 lbs
	1.2 hrs
	Yes
	4.76"

CONTOURED SAFETY PARTITIONS

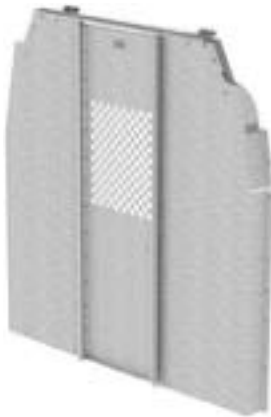


- 1. Contoured to maintain seat travel and ensure driver comfort.
- 2. Contoured to capitalize on cargo area floor space.



C30-FTL
Straight Partition with Perforated Window, Swing Door

Steel	
	Low Roof
	65 lbs
	1.5 hrs
	Yes
	3.87"



C30-FTM
Straight Partition with Perforated Window, Swing Door

Steel	
	Medium Roof
	79 lbs
	1.5 hrs
	Yes
	4.96"



C30-FTH
Straight Partition with Perforated Window, Swing Door

Steel	
	High Roof
	86 lbs
	1.5 hrs
	Yes
	4.96"



TRADE PACKAGES

Pre-engineered packages for a broad range of trades.



CHOICE

A range of Fleetline and Proline packages are available for each vehicle.



TRADE SPECIFIC

Packages are created with the specific trades in mind. Optimized for maximum productivity.



PERFECT FIT

Engineered to optimize space. Layout designed to ensure that all tools are well within reach.

TRADE PACKAGES

CONTRACTOR P. 22
ELECTRICAL P. 26
HVAC P. 30
SERVICE P. 34
DELIVERY P. 44

Get more out of your work van: Ranger packages are designed specifically with your trade in mind. Our aim is to ensure that your most frequently used tools and equipment are well within reach.

Do you see a way that we can improve our packages? We appreciate your feedback! Contact our customer service team at **1-800-565-5321**.





Z10-F4

Contractor Package

TOUGH

Factory tested to ensure years of rugged, dependable service.

QUIET

Unique shelf design produces a rattle-free ride.

EFFICIENT

A well-organized vehicle saves time, letting you bill more.



*Preproduction model shown,
do not use as an installation guide.

CONTRACTOR PACKAGES

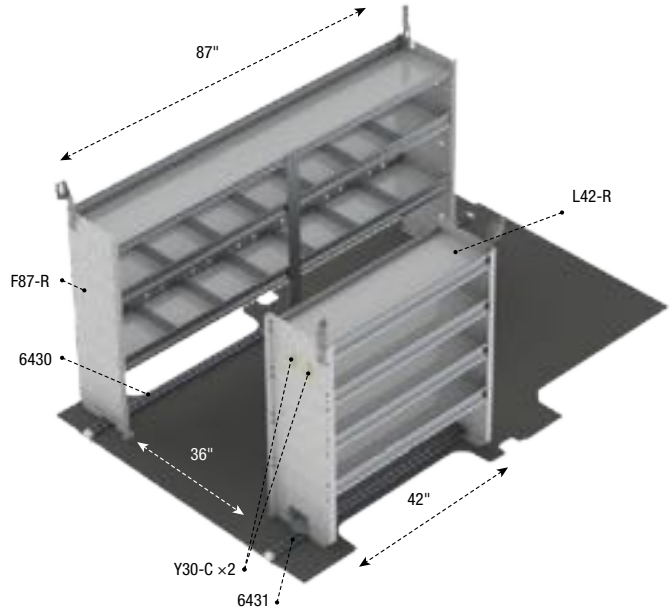
Z10-F1

Steel

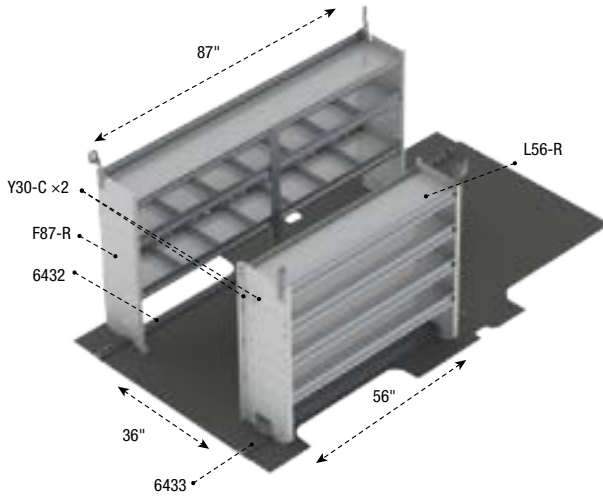
Contractor Package

130"	Low	199 lbs
2.9 hrs	Yes	

Qty	Part #	Description
1	6430	Shelving install kit, driver side
1	6431	Shelving install kit, passenger side
1	F87-R	Square Back Shelving Unit with Dividers
1	L42-R	Square Back Shelving Unit
2	Y30-C	Coat Hook, 1" opening, chrome plated



PACKAGES



Z10-F2

Steel

Contractor Package

148"	Low	212 lbs
2.9 hrs	Yes	

Qty	Part #	Description
1	6432	Shelving install kit, driver side
1	6433	Shelving install kit, passenger side
1	F87-R	Square Back Shelving Unit with Dividers
1	L56-R	Square Back Shelving Unit
2	Y30-C	Coat Hook, 1" opening, chrome plated

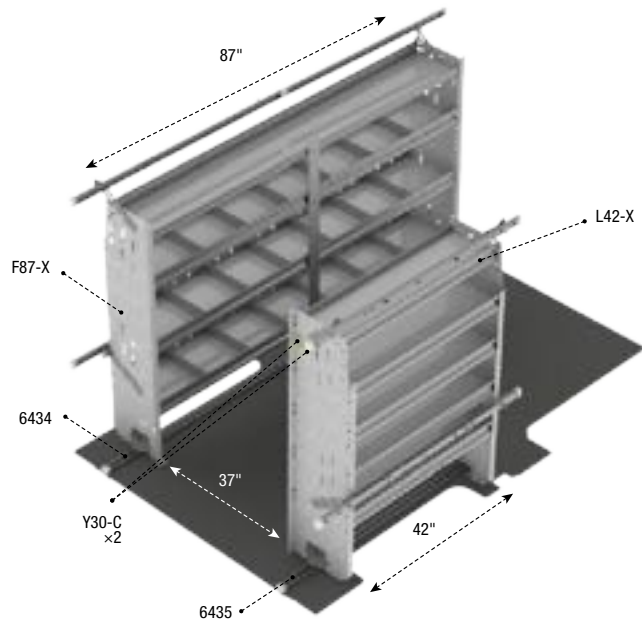
Z10-F3

Steel

Contractor Package

130"	Medium	223 lbs
3.1 hrs	Yes	

Qty	Part #	Description
1	6434	Shelving install kit, driver side
1	6435	Shelving install kit, passenger side
1	F87-X	Square Back Shelving Unit with Dividers
1	L42-X	Square Back Shelving Unit
2	Y30-C	Coat Hook, 1" opening, chrome plated








CONTRACTOR PACKAGES

PACKAGES

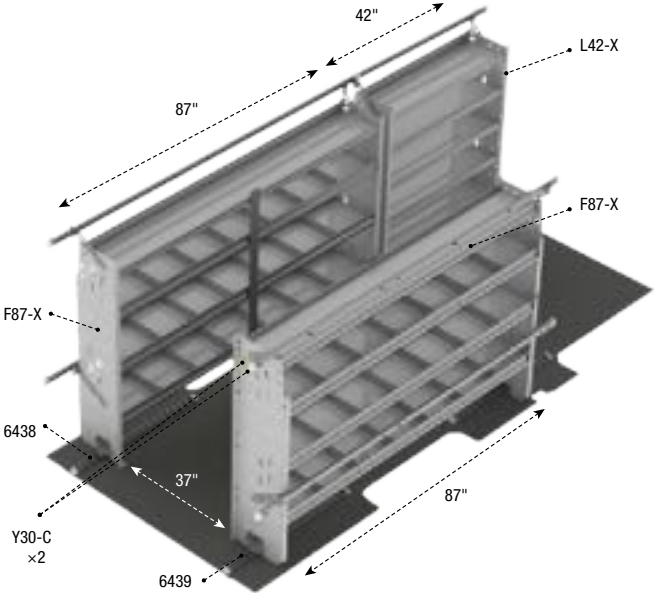
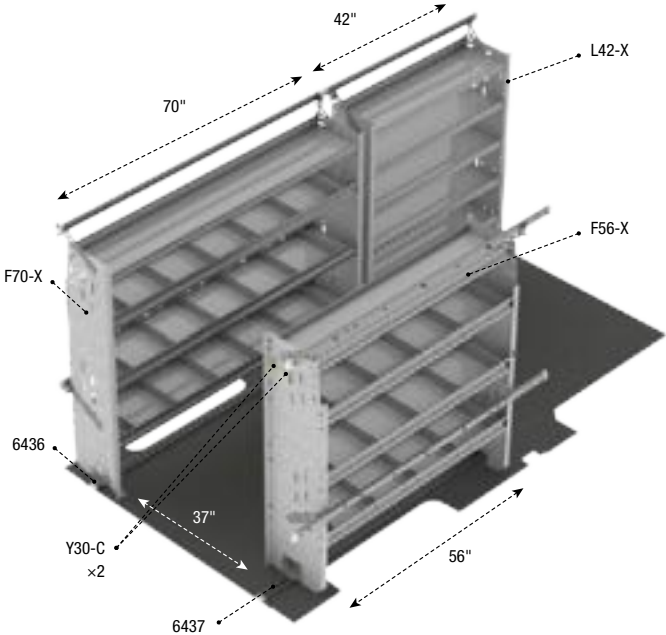
Z10-F4

Steel

Contractor Package

 148"	 Med/High	 288 lbs
 4.1 hrs	 Yes	






Qty	Part #	Description
1	6436	Shelving install kit, driver side
1	6437	Shelving install kit, passenger side
1	F56-X	Square Back Shelving Unit with Dividers
1	F70-X	Square Back Shelving Unit with Dividers
1	L42-X	Square Back Shelving Unit
2	Y30-C	Coat Hook, 1" opening, chrome plated



Z10-F5

Steel

Contractor Package

 148" Ext	 High	 348 lbs
 4.1 hrs	 Yes	

Qty	Part #	Description
1	6438	Shelving install kit, driver side
1	6439	Shelving install kit, passenger side
2	F87-X	Square Back Shelving Unit with Dividers
1	L42-X	Square Back Shelving Unit
2	Y30-C	Coat Hook, 1" opening, chrome plated



Earn more through an enhance professional business image.



F411

Electrical/Telecom

TOUGH

Tradesman proven tough to work as hard as you do.

QUIET

All ladder racks have an aerodynamic design that reduces wind buffeting and noise.

EFFICIENT

Advanced designs increase storage and cargo capacity of any vehicle.



ELECTRICAL PACKAGES

F111

Aluminum

Electrical Package

130"

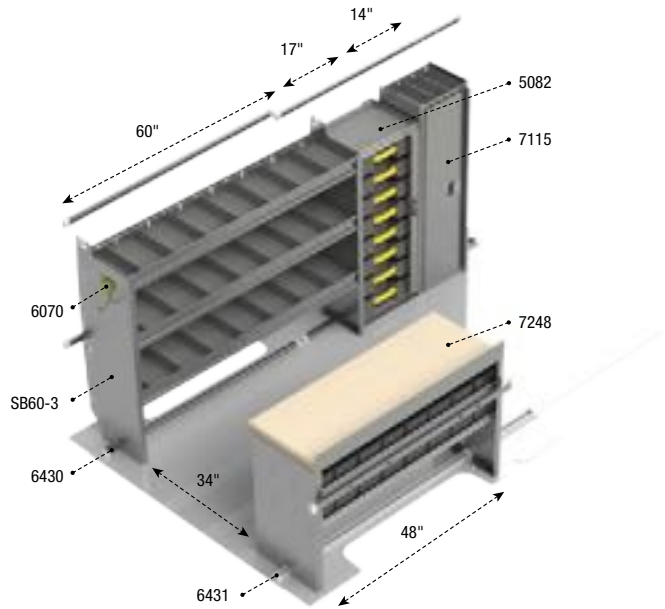
Low Roof

227 lbs

4.5 hrs

Yes

Qty	Part #	Description
1	5082	Partskeeper cabinet
1	6070	Large hook, fixed
1	6430	Install Kit, floor, driver
1	6431	Install Kit, floor, passenger
1	7115	Locker, contoured, 43.5" x 14"
1	7248	Workbench
1	SB60-3	Shelf unit, 60" L



PACKAGES

F211

Aluminum

Electrical Package

148"

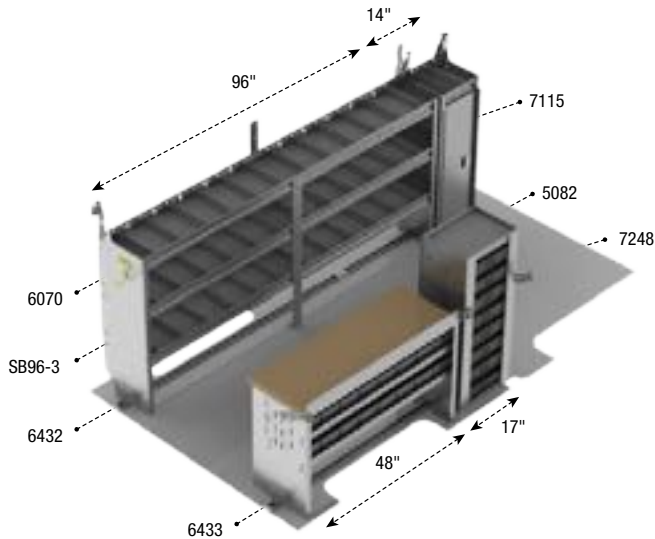
Low Roof

256 lbs

4.7 hrs

Yes

Qty	Part #	Description
1	5082	Partskeeper cabinet
1	6070	Large hook, fixed
1	6432	Install Kit floor, driver
1	6433	Install Kit floor, passenger
1	7115	Locker, contoured, 43.5" x 14"
1	7248	Workbench
1	SB96-3	Shelf unit, 96" L



F311

Aluminum

Electrical Package

130"

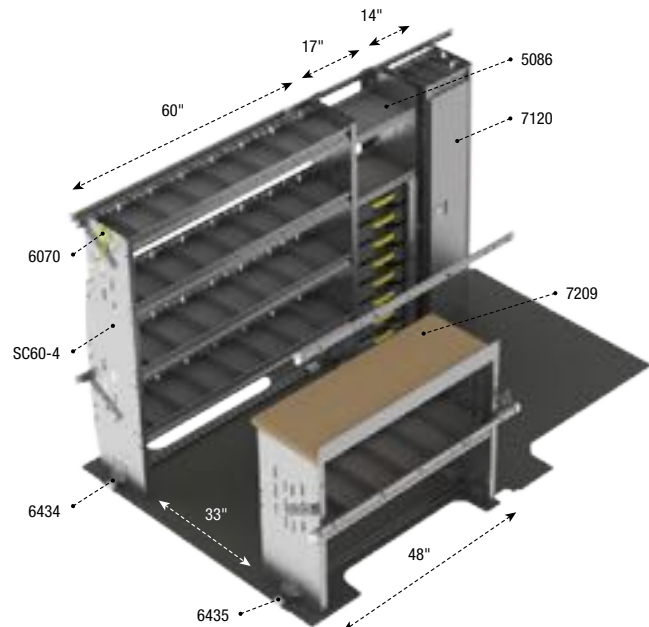
Medium

239 lbs

5.1 hrs

Yes

Qty	Part #	Description
1	5086	Partskeeper cabinet with 8 carry cases & 2 shelves
1	6070	6" Hook, 3" opening, painted
1	6434	Shelving install kit, driver side
1	6435	Shelving install kit, passenger side
1	7120	Locker w/top shelf
1	7209	Workbench w/hardwood top, 1 shelf
1	SC60-4	Contoured Shelving Unit with Dividers








ELECTRICAL PACKAGES

PACKAGES

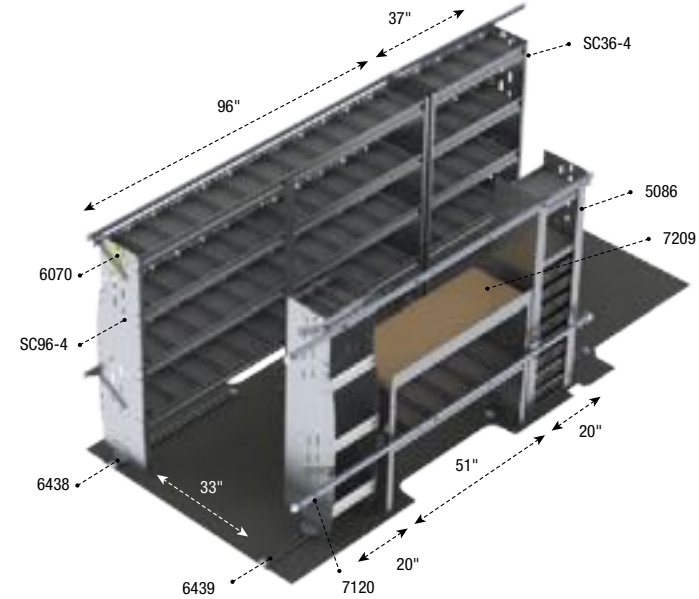
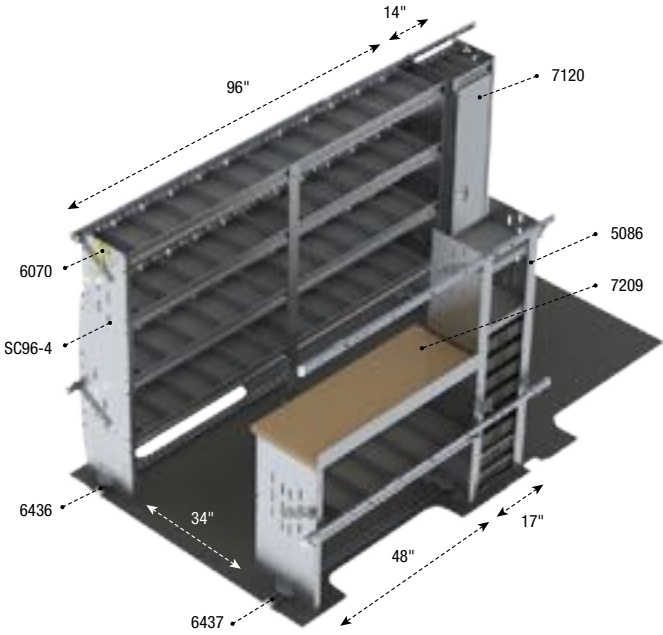
F411

Aluminum

Electrical Package

 148"	 Med/High	 271 lbs
 5.3 hrs	 Yes	






Qty	Part #	Description
1	5086	Partskeeper cabinet with 8 carry cases & 2 shelves
1	6070	6" Hook, 3" opening, painted
1	6436	Shelving install kit, driver side
1	6437	Shelving install kit, passenger side
1	7120	Locker w/top shelf
1	7209	Workbench w/hardwood top, 1 shelf
1	SC96-4	Contoured Shelving Unit with Dividers



F511

Aluminum

Electrical Package

 148" Ext	 High	 317 lbs
 6.5 hrs	 Yes	

Qty	Part #	Description
1	5086	Partskeeper cabinet with 8 carry cases & 2 shelves
1	6070	6" Hook, 3" opening, painted
1	6438	Shelving install kit, driver side
1	6439	Shelving install kit, passenger side
1	7120	Locker w/top shelf
1	7209	Workbench w/hardwood top, 1 shelf
1	SC36-4	Contoured Shelving Unit with Dividers
1	SC96-4	Contoured Shelving Unit with Dividers



Choose a layout design that will be the perfect fit for your toughest job



F412

HVAC Package

TOUGH

Heavy-duty military grade aluminum covered by 10year warranty.

QUIET

Precision manufacturing ensures a snug fit that reduces vibrations, squeaks, and rattles.

EFFICIENT

Innovative ergonomic designs help reduce or prevent injuries.



HVAC PACKAGES

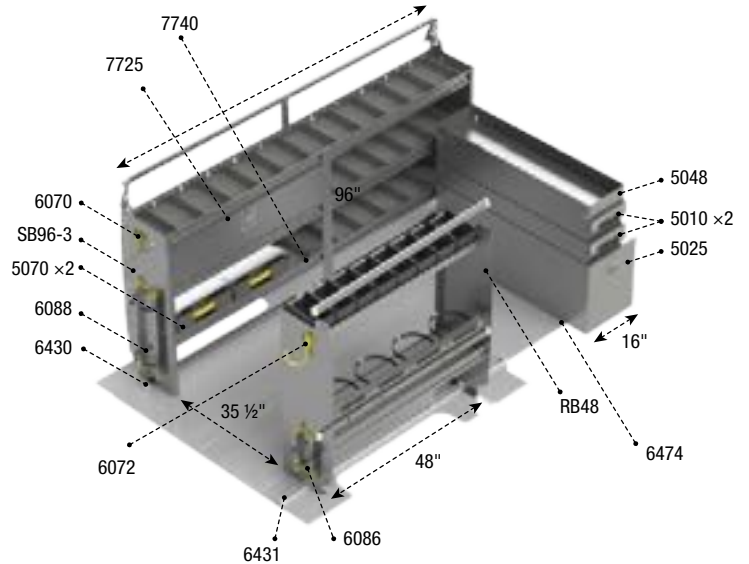
F112

Aluminum

HVAC Package

130"	Low	296 lbs
7.5 hrs	Yes	

Qty	Part #	Description
2	5010	Partslider drawer
1	5025	Jumbo tool drawer
1	5048	Top edge, for 5010 Partslider
2	5070	Partskeeper carry case with holder, universal
1	6070	6" Hook, 3" opening, painted
1	6072	8" Swivel Hook, 4" opening, painted
1	6086	Small aluminum bottle holder, with a black nylon strap
1	6088	Large aluminum bottle holder, with two black nylon straps
1	6430	Shelving install kit, driver side
1	6431	Shelving install kit, passenger side
1	6474	Jumbo drawer unit install kit
1	7725	Locking door kit
1	7740	Shelf Block
1	RB48	Contoured Refrigerant Bin Unit
1	SB96-3	Contoured Shelving Unit with Dividers



PACKAGES

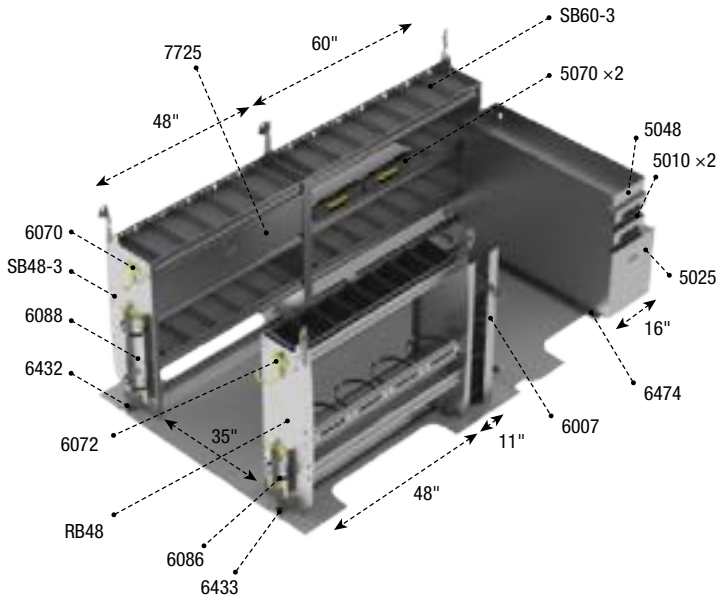
F212

Aluminum

HVAC Package

148"	Low	334 lbs
8.2 hrs	Yes	

Qty	Part #	Description
2	5010	Partslider drawer
1	5025	Jumbo tool drawer
1	5048	Top edge, for 5010 Partslider
2	5070	Partskeeper carry case with holder, universal
1	6007	4 Tier refrigerant rack for small bottles
1	6070	6" Hook, 3" opening, painted
1	6072	8" Swivel Hook, 4" opening, painted
1	6086	Small aluminum bottle holder, with a black nylon strap
1	6088	Large aluminum bottle holder, with two black nylon straps
1	6432	Shelving install kit, driver side
1	6433	Shelving install kit, passenger side
1	6474	Jumbo drawer unit install kit
1	7725	Locking door kit
1	RB48	Contoured Refrigerant Bin Unit
1	SB48-3	Contoured Shelving Unit with Dividers
1	SB60-3	Contoured Shelving Unit with Dividers



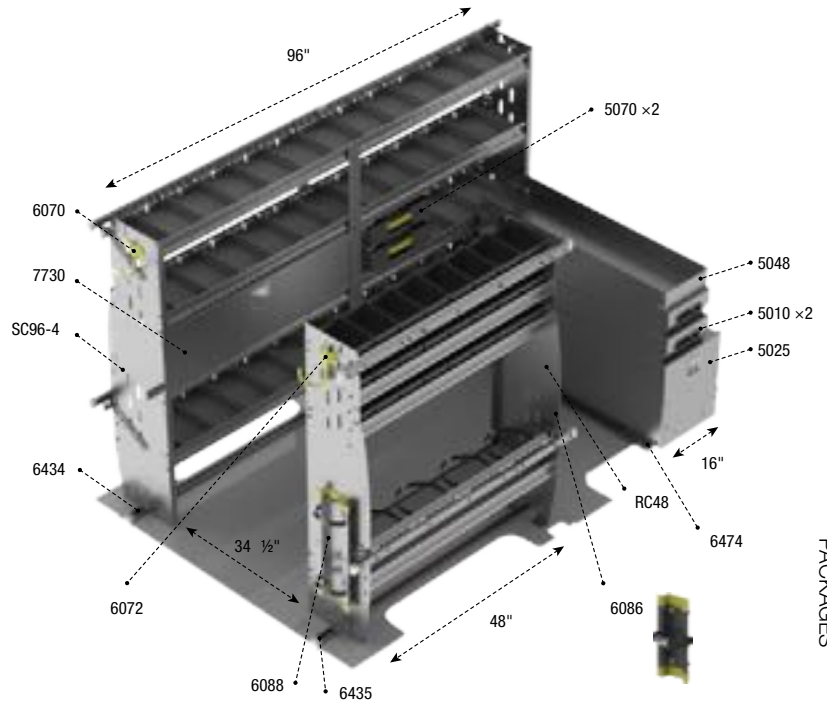
F312

Aluminum

HVAC Package

130"	Medium	372 lbs
7.8 hrs	Yes	

Qty	Part #	Description
2	5010	Partslider drawer
1	5025	Jumbo tool drawer
1	5048	Top edge, for 5010 Partslider
2	5070	Partskeeper carry case with holder, universal
1	6070	6" Hook, 3" opening, painted
1	6072	8" Swivel Hook, 4" opening, painted
1	6086	Small aluminum bottle holder, with a black nylon strap
1	6088	Large aluminum bottle holder, with two black nylon straps
1	6434	Shelving install kit, driver side
1	6435	Shelving install kit, passenger side
1	6474	Jumbo drawer unit install kit
1	7730	Locking door kit
1	RC48	Contoured Refrigerant Bin Unit
1	SC96-4	Contoured Shelving Unit with Dividers



PACKAGES

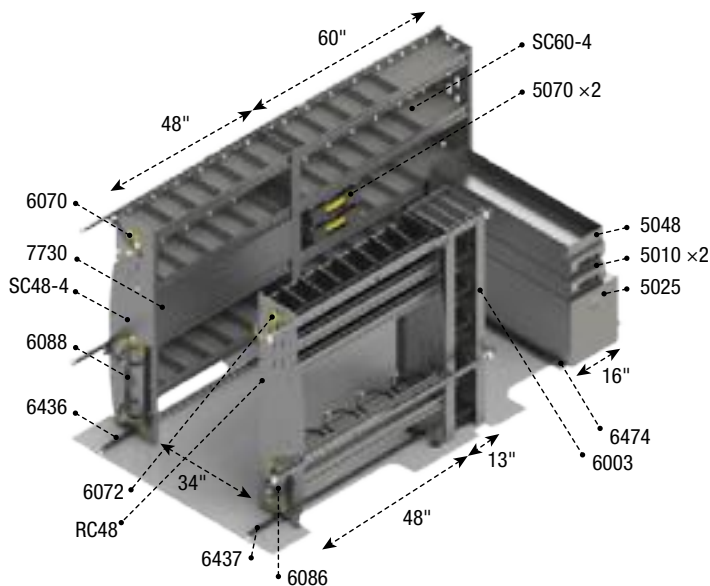
F412

Aluminum

HVAC Package

148"	Med/High	432 lbs
9.5 hrs	Yes	

Qty	Part #	Description
2	5010	Partslider drawer
1	5025	Jumbo tool drawer
1	5048	Top edge, for 5010 Partslider
2	5070	Partskeeper carry case with holder, universal
1	6003	5 Tier refrigerant rack for large bottles
1	6070	6" Hook, 3" opening, painted
1	6072	8" Swivel Hook, 4" opening, painted
1	6086	Small aluminum bottle holder, with a black nylon strap
1	6088	Large aluminum bottle holder, with two black nylon straps
1	6436	Shelving install kit, driver side
1	6437	Shelving install kit, passenger side
1	6474	Jumbo drawer unit install kit
1	7730	Locking door kit
1	RC48	Contoured Refrigerant Bin Unit
1	SC48-4	Contoured Shelving Unit with Dividers
1	SC60-4	Contoured Shelving Unit with Dividers



HVAC PACKAGES

F512

Aluminum

HVAC Package

148" Ext

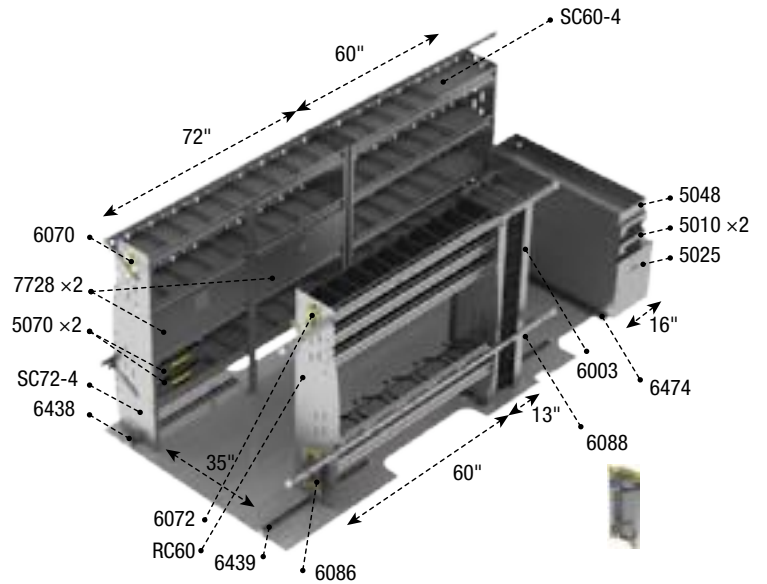
High

470 lbs

10.2 hrs

Yes

Qty	Part #	Description
2	5010	Partslider drawer
1	5025	Jumbo tool drawer
1	5048	Top edge, for 5010 Partslider
2	5070	Partskeeper carry case with holder, universal
1	6003	5 Tier refrigerant rack for large bottles
1	6070	6" Hook, 3" opening, painted
1	6072	8" Swivel Hook, 4" opening, painted
1	6086	Small aluminum bottle holder, with a black nylon strap
1	6088	Large aluminum bottle holder, with two black nylon straps
1	6438	Shelving install kit, driver side
1	6439	Shelving install kit, passenger side
1	6474	Jumbo drawer unit install kit
2	7728	Locking door kit
1	RC60	Contoured Refrigerant Bin Unit
1	SC60-4	Contoured Shelving Unit with Dividers
1	SC72-4	Contoured Shelving Unit with Dividers



PACKAGES

Efficient layout helps you save money, prevent injury and increase payload.





LEGEND



Wheelbase



Roof Height



Weight



Install Time



Quickship

SERVICE PACKAGES

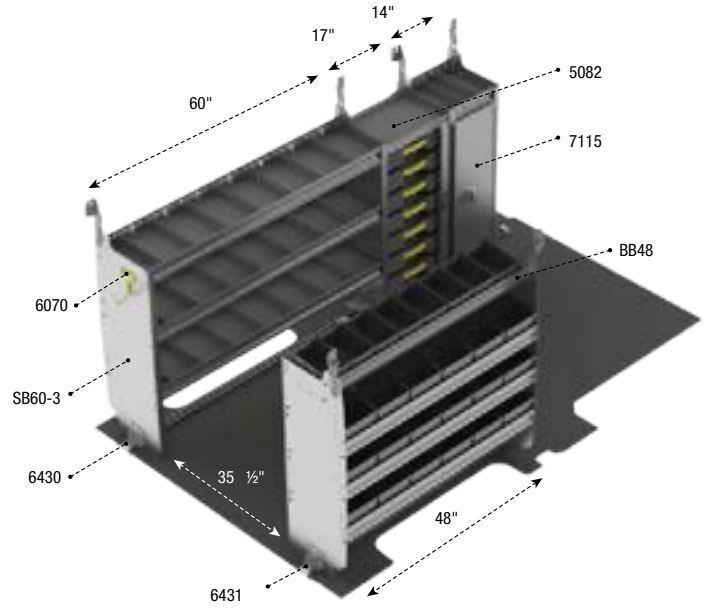
F116

Aluminum

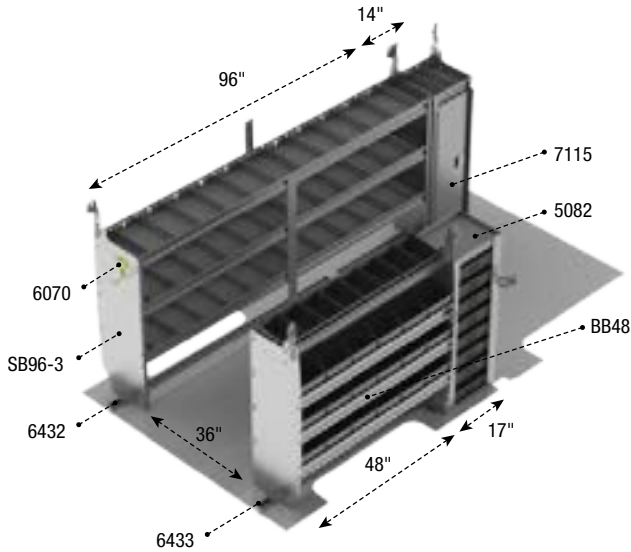
Service Package

130"	Low	233 lbs
4.5 hrs	Yes	

Qty	Part #	Description
1	5082	Partskeeper cabinet with 8 carry cases
1	6070	6" Hook, 3" opening, painted
1	6430	Shelving install kit, driver side
1	6431	Shelving install kit, passenger side
1	7115	Locker w/top shelf
1	BB48	Contoured Bin Shelving Unit
1	SB60-3	Contoured Shelving Unit with Dividers



PACKAGES



F216

Aluminum

Service Package

148"	Low	262 lbs
4.7 hrs	Yes	

Qty	Part #	Description
1	5082	Partskeeper cabinet with 8 carry cases
1	6070	6" Hook, 3" opening, painted
1	6432	Shelving install kit, driver side
1	6433	Shelving install kit, passenger side
1	7115	Locker w/top shelf
1	BB48	Contoured Bin Shelving Unit
1	SB96-3	Contoured Shelving Unit with Dividers

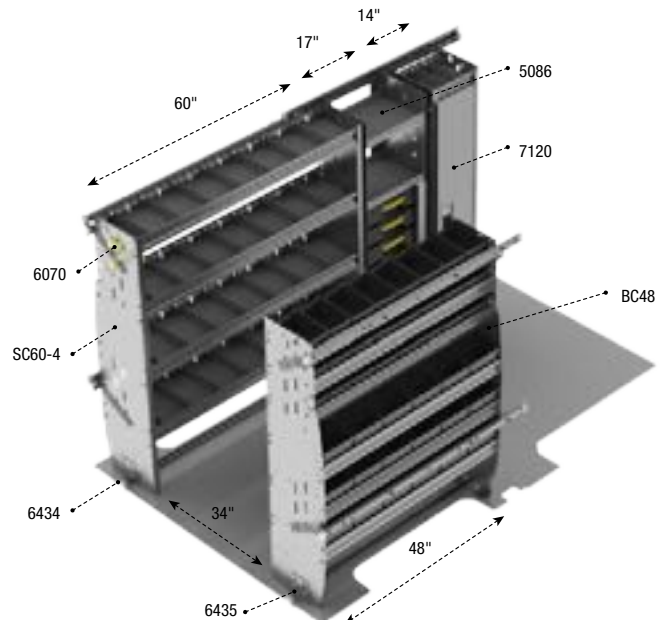
F316

Aluminum

Service Package

130"	Medium	278 lbs
5.5 hrs	Yes	

Qty	Part #	Description
1	5086	Partskeeper cabinet with 8 carry cases & 2 shelves
1	6070	6" Hook, 3" opening, painted
1	6434	Shelving install kit, driver side
1	6435	Shelving install kit, passenger side
1	7120	Locker w/top shelf
1	BC48	Contoured Bin Shelving Unit
1	SC60-4	Contoured Shelving Unit with Dividers



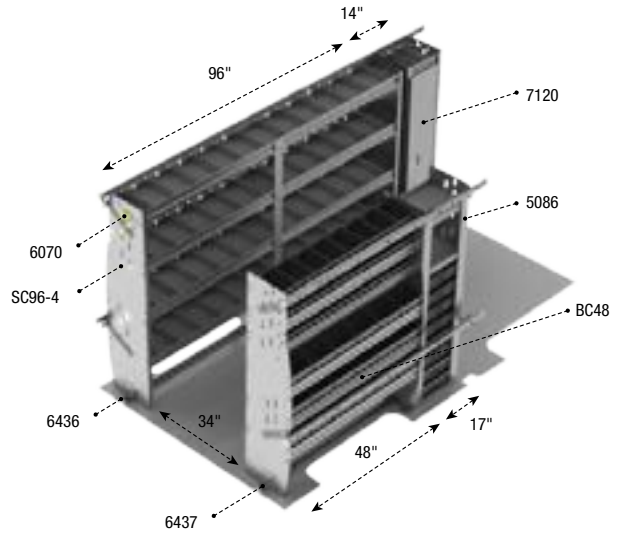
F416

Aluminum

Service Package

148"	Med/High	310 lbs
5.7 hrs	Yes	

Qty	Part #	Description
1	5086	Partskeeper cabinet with 8 carry cases & 2 shelves
1	6070	6" Hook, 3" opening, painted
1	6436	Shelving install kit, driver side
1	6437	Shelving install kit, passenger side
1	7120	Locker w/top shelf
1	BC48	Contoured Bin Shelving Unit
1	SC96-4	Contoured Shelving Unit with Dividers



PACKAGES

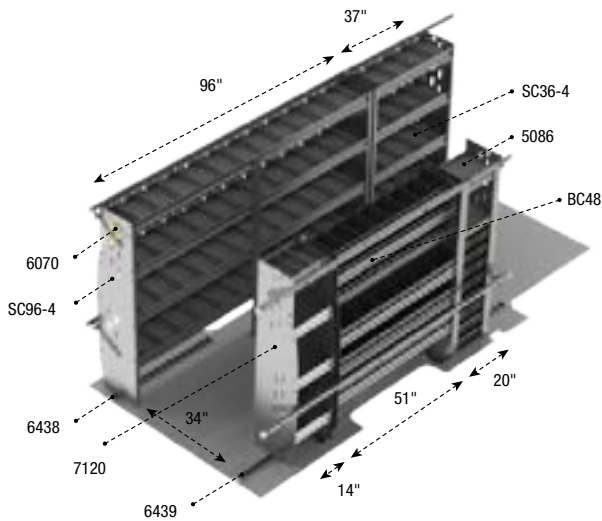
F516

Aluminum

Service Package

148" Ext	High	356 lbs
6.9 hrs	Yes	

Qty	Part #	Description
1	5086	Partskeeper cabinet with 8 carry cases & 2 shelves
1	6070	6" Hook, 3" opening, painted
1	6438	Shelving install kit, driver side
1	6439	Shelving install kit, passenger side
1	7120	Locker w/top shelf
1	BC48	Contoured Bin Shelving Unit
1	SC36-4	Contoured Shelving Unit with Dividers
1	SC96-4	Contoured Shelving Unit with Dividers



ADD YOUR
ACCESSORIES
P.72



PICK YOUR
PARTITION
P.12



CHOOSE YOUR
LADDER RACK
P.84





Z16-F4

Service Package

TOUGH

Industry leading, crash tested products deliver on strength and durability.

QUIET

Durable, heavy-grade materials increase strength while reducing vibrations and noise.

EFFICIENT

An efficient layout will save money by reducing inventory damage.



*Preproduction model shown,
do not use as an installation guide.

SERVICE PACKAGES

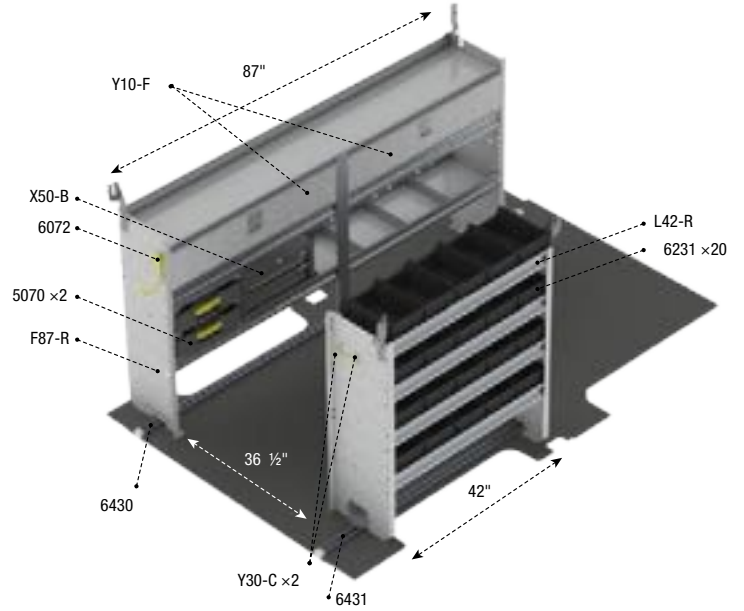
Z16-F1

Steel

Service package

130"	Low	283 lbs
5 hrs	Yes	

Qty	Part #	Description
2	5070	Partskeeper carry case with holder, universal
1	6072	8" Swivel Hook, 4" opening, painted
20	6231	Large Bin, Graphite
1	6430	Shelving install kit, driver side
1	6431	Shelving install kit, passenger side
1	F87-R	Square Back Shelving Unit with Dividers
1	L42-R	Square Back Shelving Unit
1	X50-B	Compact 2-Drawer Unit
2	Y10-F	Locking door kit
2	Y30-C	Coat Hook, 1" opening, chrome plated



PACKAGES

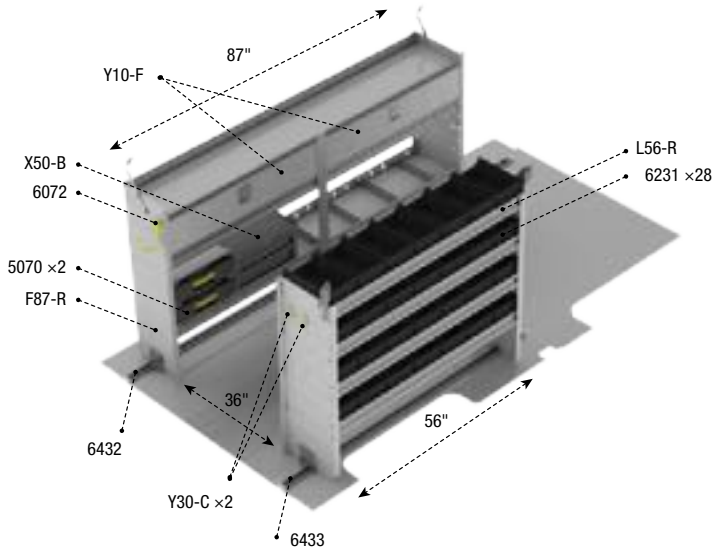
Z16-F2

Steel

Service Package

148"	Low	307 lbs
5 hrs	Yes	


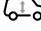



Qty	Part #	Description
2	5070	Partskeeper carry case with holder, universal
1	6072	8" Swivel Hook, 4" opening, painted
28	6231	Large Bin, Graphite
1	6432	Shelving install kit, driver side
1	6433	Shelving install kit, passenger side
1	F87-R	Square Back Shelving Unit with Dividers
1	L56-R	Square Back Shelving Unit
1	X50-B	Compact 2-Drawer Unit
2	Y10-F	Locking door kit
2	Y30-C	Coat Hook, 1" opening, chrome plated



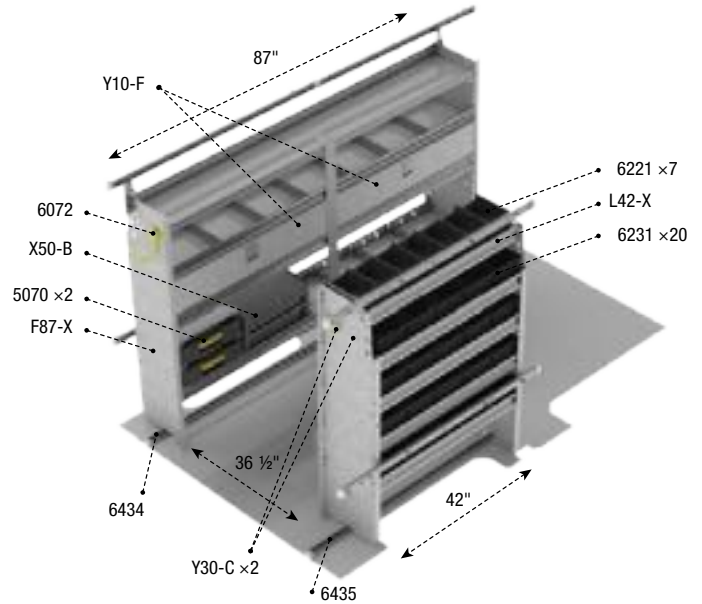
Z16-F3

Steel

Service Package

 130"	 Medium	 311 lbs
 5.2 hrs	 Yes	

Qty	Part #	Description
2	5070	Partskeeper carry case with holder, universal
1	6072	8" Swivel Hook, 4" opening, painted
7	6221	Medium Bin, Graphite
20	6231	Large Bin, Graphite
1	6434	Shelving install kit, driver side
1	6435	Shelving install kit, passenger side
1	F87-X	Square Back Shelving Unit with Dividers
1	L42-X	Square Back Shelving Unit
1	X50-B	Compact 2-Drawer Unit
2	Y10-F	Locking door kit
2	Y30-C	Coat Hook, 1" opening, chrome plated








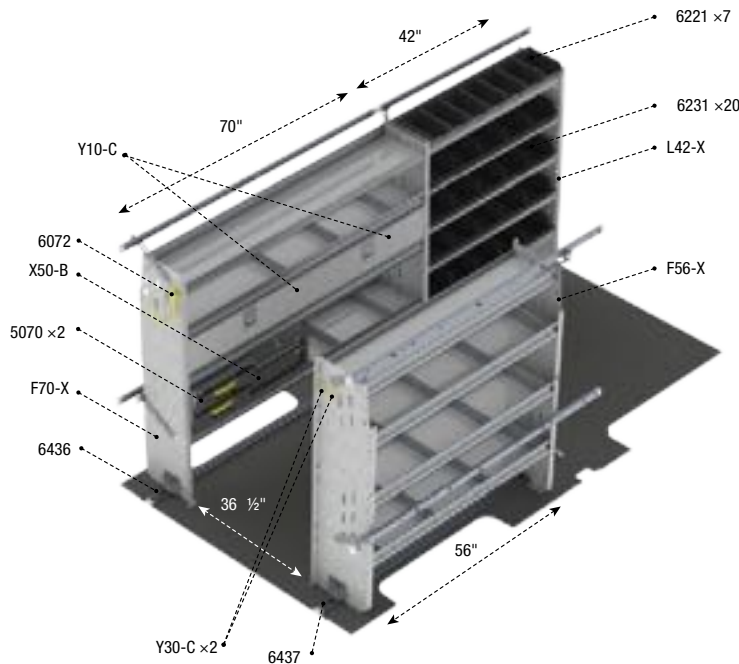
PACKAGES

Z16-F4

Steel

Service Package

 148"	 Med/High	 370 lbs
 6.2 hrs	 Yes	



Qty	Part #	Description
2	5070	Partskeeper carry case with holder, universal
1	6072	8" Swivel Hook, 4" opening, painted
7	6221	Medium Bin, Graphite
20	6231	Large Bin, Graphite
1	6436	Shelving install kit, driver side
1	6437	Shelving install kit, passenger side
1	F56-X	Square Back Shelving Unit with Dividers
1	F70-X	Square Back Shelving Unit with Dividers
1	L42-X	Square Back Shelving Unit
1	X50-B	Compact 2-Drawer Unit
2	Y10-C	Locking door kit
2	Y30-C	Coat Hook, 1" opening, chrome plated

SERVICE PACKAGES

Z16-F5

Steel

Service Package

148" Ext

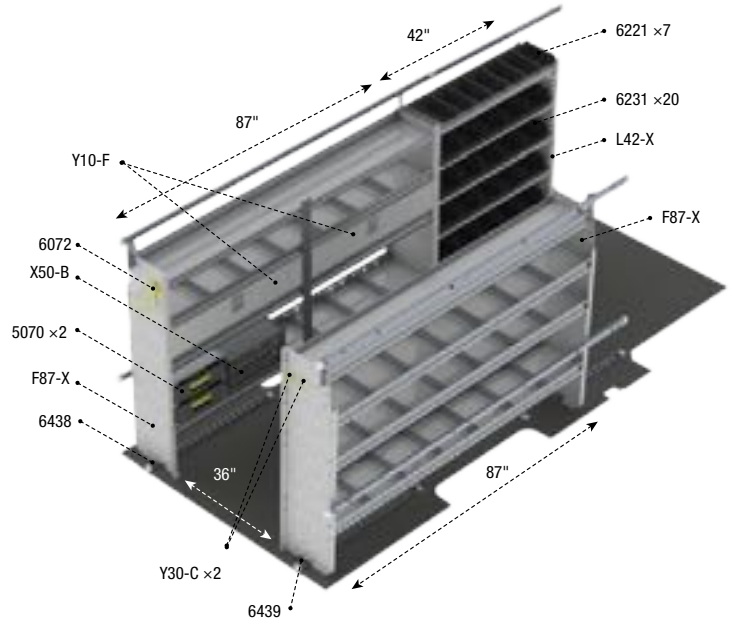
High

436 lbs

6.2 hrs

Yes

Qty	Part #	Description
2	5070	Partskeeper carry case with holder, universal
1	6072	8" Swivel Hook, 4" opening, painted
7	6221	Medium Bin, Graphite
20	6231	Large Bin, Graphite
1	6438	Shelving install kit, driver side
1	6439	Shelving install kit, passenger side
2	F87-X	Square Back Shelving Unit with Dividers
1	L42-X	Square Back Shelving Unit
1	X50-B	Compact 2-Drawer Unit
2	Y10-F	Locking door kit
2	Y30-C	Coat Hook, 1" opening, chrome plated



PACKAGES

Choose a layout design that will be the perfect fit for your toughest job.



You can do more, by choosing the right package that gets you into service fast.



PACKAGES



QUIET
Innovative focus on design and materials delivers a quiet, stress-free ride.



EFFICIENT
Earn more through an enhanced professional business image.



TOUGH
Engineered to support maximum carrying capacities and large loads.



F419

Delivery Package

TOUGH

Attention to detail and rugged, durable materials ensure years of dependable use.

QUIET

Integrating state-of-the-art composite materials delivers a quieter ride.

EFFICIENT

Save money by preventing damage to expensive tools and equipment.



DELIVERY PACKAGES

F119

Aluminum

Delivery Package

130"

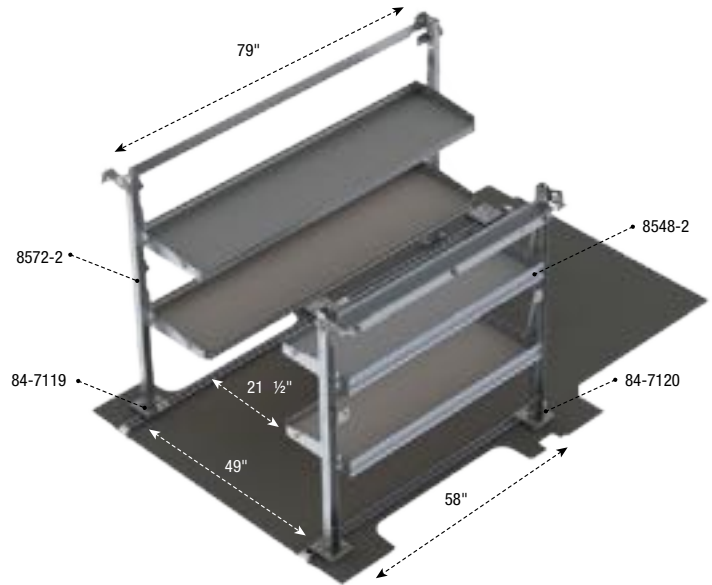
Low

138 lbs

5.1 hrs

Yes

Qty	Part #	Description
1	84-7119	Fold-Away install kit, driver side
1	84-7120	Fold-Away install kit, passenger side
1	8548-2	Fold-Away Shelving
1	8572-2	Fold-Away Shelving



PACKAGES

F219

Aluminum

Delivery Package

148"

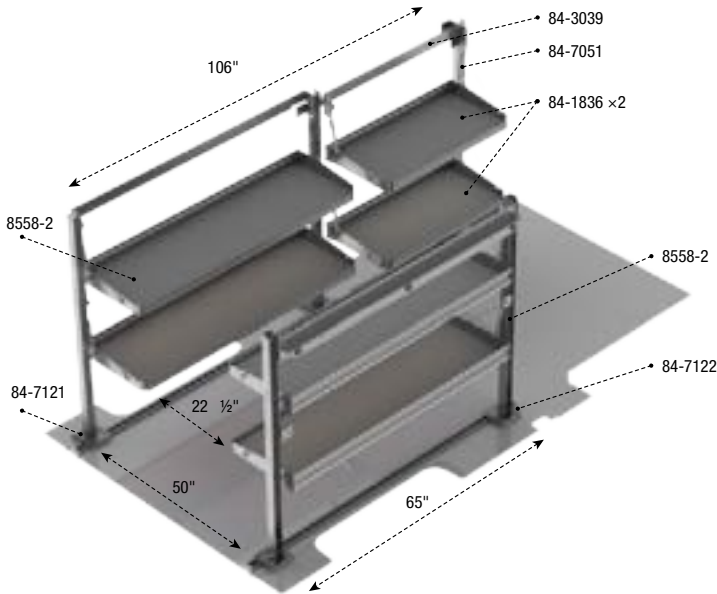
Low

177 lbs

6.8 hrs

Yes

Qty	Part #	Description
2	84-1836	Fold-Away Shelf Tray with Gas Shocks and Hardware
1	84-3039	Mounting Bar Assembly for Fold-Away Shelving
1	84-7051	Post Assembly for Fold-Away Shelving
1	84-7121	Fold-Away install kit, driver side
1	84-7122	Fold-Away install kit, passenger side
2	8558-2	Fold-Away Shelving



F319

Aluminum

Delivery Package

130"

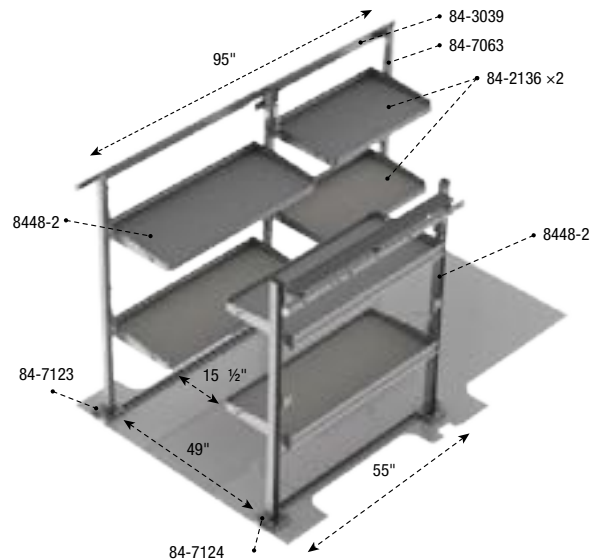
Medium

176 lbs

6.8 hrs

Yes

Qty	Part #	Description
2	84-2136	Fold-Away Shelf Tray with Gas Shocks and Hardware
1	84-3039	Mounting Bar Assembly for Fold-Away Shelving
1	84-7063	Post Assembly for Fold-Away Shelving
1	84-7123	Fold-Away install kit, driver side
1	84-7124	Fold-Away install kit, passenger side
2	8448-2	Fold-Away Shelving



F419

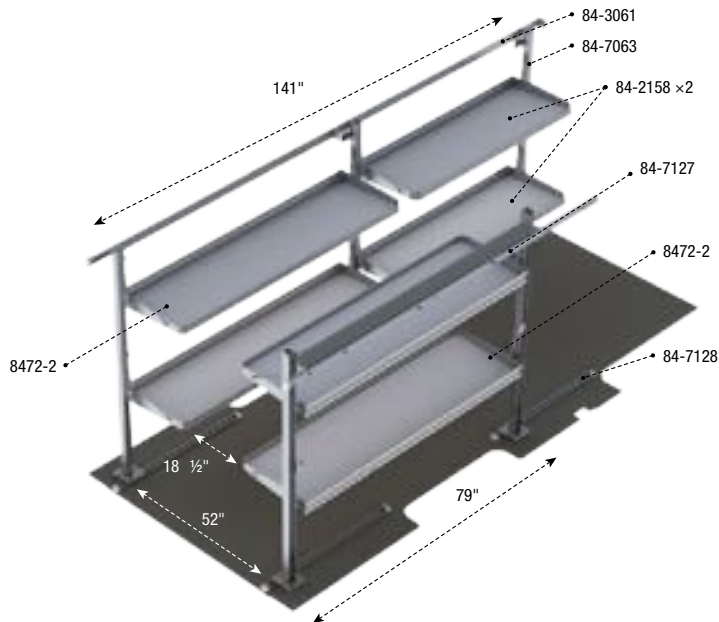
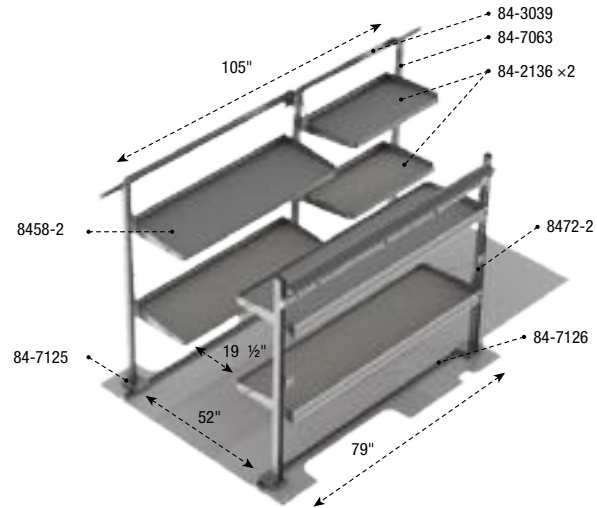
Aluminum

Delivery Package

148"	Med/High	198 lbs
6.8 hrs	Yes	

Qty	Part #	Description
2	84-2136	Fold-Away Shelf Tray with Gas Shocks and Hardware
1	84-3039	Mounting Bar Assembly for Fold-Away Shelving
1	84-7063	Post Assembly for Fold-Away Shelving
1	84-7125	Fold-Away install kit, driver side
1	84-7126	Fold-Away install kit, passenger side
1	8458-2	Fold-Away Shelving
1	8472-2	Fold-Away Shelving

This package protrudes into the doorway by 6 inches.



F519

Aluminum

Delivery Package

148" Ext	High	222 lbs
7.1 hrs	Yes	

Qty	Part #	Description
2	84-2158	Fold-Away Shelf Tray with Gas Shocks and Hardware
1	84-3061	Mounting Bar Assembly for Fold-Away Shelving
1	84-7063	Post Assembly for Fold-Away Shelving
1	84-7127	Fold-Away install kit, driver side
1	84-7128	Fold-Away install kit, passenger side
2	8472-2	Fold-Away Shelving



The right Van Accessories that can make a big difference, choose the ones to meet your individual needs.



SHELVING

Industry leading strength.
The perfect fit for the toughest jobs.



TOUGH

Extrusion builds durability into shelf.



QUIET

Shelf tray, end panel and extrusion are engineered to be vibration free.



ORGANIZED

A well-planned van outfit increases productivity.

SHELVING

BOOKSHELVES P. 48

CONTOURED UNITS

CONTOURED BIN SHELVING UNIT P. 48

CONTOURED REFRIGERANT BIN UNIT P. 49

CONTOURED SHELVING UNIT W/ DIVIDERS P. 49

DEEP SQUARE BACK UNITS

DEEP SQ. BACK BIN SHELVING UNIT P. 51

DEEP SQ. BACK SHELVING UNIT P. 52

DEEP SQ. BACK SHELVING UNIT W/ DIVIDERS P. 52

DOORS P. 58

FOLD-AWAY SHELVING P. 53

LOCKERS P. 59

SQUARE BACK UNITS

SQUARE BACK BIN SHELVING UNIT P. 54

SQUARE BACK SHELVING UNIT P. 55

SQUARE BACK SHELVING UNIT W/ DIVIDERS P. 56

WORKBENCHES P. 59

Ranger Design shelving is built strong and durable and often outlasts the vehicle. Designed to fit with maximum efficiency, Ranger shelving optimizes the space in a work van's cargo area.



SHELVING – BOOKSHELF

Bookshelf

Aluminum



Transit
Med/High Roof



7108	14" D x 9" W x 62.5" H	30 lbs	5 Shelves (12.5")	—	—	0.5 hr	Yes
-------------	------------------------	--------	-------------------	---	---	--------	-----



Bookshelf

Aluminum



Transit
Low Roof



7109	14" D x 9" W x 43" H	18 lbs	3 Shelves (12.5")	—	—	0.4 hr	No
-------------	----------------------	--------	-------------------	---	---	--------	----



Contoured Bin Shelving Unit

Aluminum



Transit
Low Roof



BB36	15" D x 36" W x 46" H	63 lbs	4 Shelves (9", 13.5", 13.5", 13.5")	—	6 (md), 12 (lrg)	1 hr	No
BB48	15" D x 48" W x 46" H	81 lbs	4 Shelves (9", 13.5", 13.5", 13.5")	—	8 (md), 18 (lrg)	1 hr	Yes
BB60	15" D x 60" W x 46" H	96 lbs	4 Shelves (9", 13.5", 13.5", 13.5")	—	10 (md), 21 (lrg)	1 hr	No



Contoured Bin Shelving Unit

Aluminum



Transit
Med/High Roof



BC36	15.5" D x 36" W x 62.5" H	82 lbs	6 Shelves (9", 9", 9", 13", 13", 13")	—	18 (md), 12 (lrg)	1.4 hrs	No
BC48	15.5" D x 48" W x 62.5" H	104 lbs	6 Shelves (9", 9", 9", 13", 13", 13")	—	24 (md), 18 (lrg)	1.4 hrs	Yes
BC60	15.5" D x 60" W x 62.5" H	123 lbs	6 Shelves (9", 9", 9", 13", 13", 13")	—	30 (md), 21 (lrg)	1.4 hrs	No

Does not fit over wheel well in ProMaster



CONTOURED BIN SHELVING UNIT – SHELVING

Contoured Bin Shelving Unit

Aluminum



Transit
Med/High Roof



BC36-5	15.5" D x 36" W x 62.5" H	71 lbs	5 Shelves (9.5", 9.5", 9.5", 13", 13")	—	18 (md), 8 (lrg)	1.4 hrs	No
BC48-5	15.5" D x 48" W x 62.5" H	89 lbs	5 Shelves (9.5", 9.5", 9.5", 13", 13")	—	24 (md), 12 (lrg)	1.4 hrs	No
BC60-5	15.5" D x 60" W x 62.5" H	104 lbs	5 Shelves (9.5", 9.5", 9.5", 13", 13")	—	30 (md), 14 (lrg)	1.4 hrs	No



Contoured Refrigerant Bin Unit

Aluminum



Transit
Low Roof



RB48	15" D x 48" W x 46" H	38 lbs	2 Shelves (9", 13.5")	4	8 (md)	1 hr	Yes
RB60	15" D x 60" W x 46" H	45 lbs	2 Shelves (9", 13.5")	5	10 (md)	1 hr	No



Contoured Refrigerant Bin Unit

Aluminum



Transit
Med/High Roof



RC48	15.5" D x 48" W x 62.5" H	106 lbs	4 Shelves (9", 9", 9", 12.5")	4	24 (md)	1.2 hrs	Yes
RC60	15.5" D x 60" W x 62.5" H	120 lbs	4 Shelves (9", 9", 9", 12.5")	5	30 (md)	1.2 hrs	Yes



Contoured Shelving Unit with Dividers

Aluminum



Transit
Low Roof



SB36-3	15.5" D x 36" W x 46" H	39 lbs	3 Shelves (13", 13", 13")	12	7728	0.8 hr	No
SB48-3	15.5" D x 48" W x 46" H	48 lbs	3 Shelves (13", 13", 13")	18	7725	0.8 hr	Yes
SB60-3	15.5" D x 60" W x 46" H	58 lbs	3 Shelves (13", 13", 13")	21	7727	0.8 hr	Yes



SHELVING – CONTOURED SHELVING UNIT WITH DIVIDERS

Contoured Shelving Unit with Dividers

Aluminum



Transit
Low Roof



SB36-4	15.5" D x 36" W x 46" H	49 lbs	4 Shelves (13", 13", 13", 13")	16	7723	0.8 hr	No
SB48-4	15.5" D x 48" W x 46" H	62 lbs	4 Shelves (13", 13", 13", 13")	24	7720	0.8 hr	No
SB60-4	15.5" D x 60" W x 46" H	75 lbs	4 Shelves (13", 13", 13", 13")	28	7722	0.8 hr	No



Contoured Shelving Unit with Dividers

Aluminum



Transit
Low Roof



SB72-3	15.5" D x 72" W x 46" H	68 lbs	3 Shelves (13", 13", 13")	24	7728	1 hr	Yes
SB84-3	15.5" D x 84" W x 46" H	78 lbs	3 Shelves (13", 13", 13")	30	N/A	1 hr	No
SB96-3	15.5" D x 96" W x 46" H	87 lbs	3 Shelves (13", 13", 13")	36	7725	1 hr	Yes



Contoured Shelving Unit with Dividers

Aluminum



Transit
Low Roof



SB72-4	15.5" D x 72" W x 46" H	88 lbs	4 Shelves (13", 13", 13", 13")	32	7723	1 hr	No
SB84-4	15.5" D x 84" W x 46" H	101 lbs	4 Shelves (13", 13", 13", 13")	40	N/A	1 hr	No
SB96-4	15.5" D x 96" W x 46" H	114 lbs	4 Shelves (13", 13", 13", 13")	48	7720	1 hr	No



Contoured Shelving Unit with Dividers

Aluminum



Transit
Med/High Roof



SC36-4	15.5" D x 36" W x 62.5" H	46 lbs	4 Shelves (11", 12", 13", 13")	16	7733	1.2 hrs	Yes
SC48-4	15.5" D x 48" W x 62.5" H	56 lbs	4 Shelves (11", 12", 13", 13")	24	7730	1.2 hrs	Yes
SC60-4	15.5" D x 60" W x 62.5" H	66 lbs	4 Shelves (11", 12", 13", 13")	28	7732	1.2 hrs	Yes



CONTOURED SHELVING UNIT WITH DIVIDERS – SHELVING

Contoured Shelving Unit with Dividers

Aluminum



Transit
Med/High Roof



SC36-5	15.5" D x 36" W x 62.5" H	53 lbs	5 Shelves (11", 11", 13", 13", 13")	20	7723	1.2 hrs	No
SC48-5	15.5" D x 48" W x 62.5" H	65 lbs	5 Shelves (11", 11", 13", 13", 13")	30	7720	1.2 hrs	No
SC60-5	15.5" D x 60" W x 62.5" H	78 lbs	5 Shelves (11", 11", 13", 13", 13")	35	7722	1.2 hrs	No



Contoured Shelving Unit with Dividers

Aluminum



Transit
Med/High Roof



SC72-4	15.5" D x 72" W x 62.5" H	76 lbs	4 Shelves (11", 12", 13", 13")	32	7733	1.4 hrs	Yes
SC84-4	15.5" D x 84" W x 62.5" H	88 lbs	4 Shelves (11", 12", 13", 13")	40	N/A	1.4 hrs	No
SC96-4	15.5" D x 96" W x 62.5" H	98 lbs	4 Shelves (11", 12", 13", 13")	48	7730	1.4 hrs	Yes



Contoured Shelving Unit with Dividers

Aluminum



Transit
Med/High Roof



SC72-5	15.5" D x 72" W x 62.5" H	90 lbs	5 Shelves (11", 11", 13", 13", 13")	40	7723	1.4 hrs	Yes
SC84-5	15.5" D x 84" W x 62.5" H	102 lbs	5 Shelves (11", 11", 13", 13", 13")	50	N/A	1.4 hrs	No
SC96-5	15.5" D x 96" W x 62.5" H	118 lbs	5 Shelves (11", 11", 13", 13", 13")	60	7720	1.4 hrs	No



Deep Square Back Bin Shelving Unit

Steel



Transit
Med/High Roof



H38-T	17" D x 38" W x 58" H	93 lbs	4 Shelves (13", 16", 16", 16")	6	Y11-D	1 hr	No
H42-T	17" D x 42" W x 58" H	100 lbs	4 Shelves (13", 16", 16", 16")	9	Y11-F	1 hr	No
H56-T	17" D x 56" W x 58" H	120 lbs	4 Shelves (13", 16", 16", 16")	12	Y11-J	1 hr	No
H70-T	17" D x 70" W x 58" H	140 lbs	4 Shelves (13", 16", 16", 16")	12	Y11-C	1 hr	No



SHELVING – DEEP SQUARE BACK BIN SHELVING UNIT

Deep Square Back Bin Shelving Unit

Steel



Transit
Med/High Roof



H87-T	17" D x 87" W x 58" H	165 lbs	4 Shelves (13", 16", 16", 16")	15	Y11-F	1 hr	No
--------------	-----------------------	---------	--------------------------------	----	-------	------	----



Deep Square Back Shelving Unit

Steel



Transit
Med/High Roof



L38-T	17" D x 38" W x 58" H	88 lbs	5 Shelves (14", 16", 16", 16", 16")	—	Y10-D	1 hr	No
L42-T	17" D x 42" W x 58" H	93 lbs	5 Shelves (14", 16", 16", 16", 16")	—	Y10-F	1 hr	No
L56-T	17" D x 56" W x 58" H	112 lbs	5 Shelves (14", 16", 16", 16", 16")	—	Y10-B	1 hr	No
L70-T	17" D x 70" W x 58" H	130 lbs	5 Shelves (14", 16", 16", 16", 16")	—	Y10-C	1 hr	No



Deep Square Back Shelving Unit

Steel



Transit
Med/High Roof



L87-T	17" D x 87" W x 58" H	154 lbs	5 Shelves (14", 16", 16", 16", 16")	—	Y10-F	1 hr	No
--------------	-----------------------	---------	-------------------------------------	---	-------	------	----



Deep Square Back Shelving Unit with Dividers

Steel



Transit
Med/High Roof



F38-T	17.5" D x 38" W x 58" H	80 lbs	4 Shelves (14", 16", 16", 16")	6	Y11-D	1 hr	No
F42-T	17.5" D x 42" W x 58" H	85 lbs	4 Shelves (14", 16", 16", 16")	6	Y11-F	1 hr	No
F56-T	17.5" D x 56" W x 58" H	101 lbs	4 Shelves (14", 16", 16", 16")	12	Y11-J	1 hr	No
F70-T	17.5" D x 70" W x 58" H	115 lbs	4 Shelves (14", 16", 16", 16")	12	Y11-C	1 hr	No



DEEP SQUARE BACK SHELVING UNIT WITH DIVIDERS – SHELVING

Deep Square Back Shelving Unit with Dividers

Steel



Transit
Med/High Roof



87-T	17.5" D x 87" W x 58" H	136 lbs	4 Shelves (14", 16", 16", 16")	15	Y11-F	1 hr	No
-------------	-------------------------	---------	--------------------------------	----	-------	------	----



Fold-Away Shelving

Aluminum



Transit
Med/High Roof



8436-2	21" D x 43" W x 63.5" H	42 lbs	2 Shelves (20", 20")	—	—	1.2 hrs	No
8448-2	21" D x 55" W x 63.5" H	58 lbs	2 Shelves (20", 20")	—	—	1.2 hrs	Yes
8458-2	21" D x 65" W x 63.5" H	64 lbs	2 Shelves (20", 20")	—	—	1.3 hrs	Yes
8472-2	21" D x 79" W x 63.5" H	74 lbs	2 Shelves (20", 20")	—	—	1.4 hrs	Yes

*Weight capacity for fold-away shelving is 65 lbs / linear foot.



Fold-Away Shelving

Aluminum



Transit
Med/High Roof



8448-3	21" D x 55" W x 72" H	74 lbs	3 Shelves (17", 17", 20")	—	—	2.5 hrs	No
8458-3	21" D x 65" W x 72" H	83 lbs	3 Shelves (17", 17", 20")	—	—	2.7 hrs	No
8472-3	21" D x 79" W x 72" H	98 lbs	3 Shelves (17", 17", 20")	—	—	2.7 hrs	Yes

*Weight capacity for fold-away shelving is 65 lbs / linear foot.



Fold-Away Shelving

Aluminum



Transit
Low Roof



8548-2	18" D x 55" W x 53.5" H	52 lbs	2 Shelves (17", 17")	—	—	2.2 hrs	Yes
8558-2	18" D x 65" W x 53.5" H	59 lbs	2 Shelves (17", 17")	—	—	2.4 hrs	Yes
8572-2	18" D x 79" W x 53.5" H	70 lbs	2 Shelves (17", 17")	—	—	2.4 hrs	Yes

*Weight capacity for fold-away shelving is 65 lbs / linear foot.



SHELVING – SQUARE BACK BIN SHELVING UNIT

Square Back Bin Shelving Unit

Aluminum

UNIVERSAL

7848	11" D x 48" W x 13.25" H	25 lbs	2 Shelves (9", 9")	—	16 (md)	0.5 hr	No



Square Back Bin Shelving Unit

Steel



Transit
Low Roof

H38-R	14" D x 38" W x 46" H	63 lbs	3 Shelves (13", 13", 13")	6	4	1 hr	No
H42-R	14" D x 42" W x 46" H	68 lbs	3 Shelves (13", 13", 13")	6	5	1 hr	No
H56-R	14" D x 56" W x 46" H	81 lbs	3 Shelves (13", 13", 13")	8	7	1 hr	No
H70-R	14" D x 70" W x 46" H	95 lbs	3 Shelves (13", 13", 13")	8	8	1 hr	No



Square Back Bin Shelving Unit

Steel



Transit
Low Roof

H87-R	14" D x 87" W x 46" H	116 lbs	3 Shelves (13", 13", 13")	12	10	1 hr	No



Square Back Bin Shelving Unit

Steel



Transit
Med/High Roof

H38-X	14" D x 38" W x 58" H	80 lbs	4 Shelves (9", 13", 13", 13")	9	6	1 hr	No
H42-X	14" D x 42" W x 58" H	86 lbs	4 Shelves (9", 13", 13", 13")	9	7	1 hr	No
H56-X	14" D x 56" W x 58" H	103 lbs	4 Shelves (9", 13", 13", 13")	12	9	1 hr	No
H70-X	14" D x 70" W x 58" H	120 lbs	4 Shelves (9", 13", 13", 13")	12	11	1 hr	No



SQUARE BACK BIN SHELVING UNIT – SHELVING

Square Back Bin Shelving Unit

Steel



Transit
Med/High Roof



H87-X	14" D x 87" W x 58" H	145 lbs	4 Shelves (9", 13", 13", 13")	18	14	1 hr	No
--------------	-----------------------	---------	-------------------------------	----	----	------	----



Square Back Shelving Unit

Steel



Transit
Low Roof



L38-R	14" D x 38" W x 46" H	61 lbs	4 Shelves (13", 13", 13", 13")	—	—	1 hr	No
L42-R	14" D x 42" W x 46" H	65 lbs	4 Shelves (13", 13", 13", 13")	—	—	1 hr	Yes
L56-R	14" D x 56" W x 46" H	78 lbs	4 Shelves (13", 13", 13", 13")	—	—	1 hr	Yes
L70-R	14" D x 70" W x 46" H	91 lbs	4 Shelves (13", 13", 13", 13")	—	—	1 hr	No



Square Back Shelving Unit

Steel



Transit
Low Roof



L87-R	14" D x 87" W x 46" H	113 lbs	4 Shelves (13", 13", 13", 13")	—	—	1 hr	No
--------------	-----------------------	---------	--------------------------------	---	---	------	----



Square Back Shelving Unit

Steel



Transit
Med/High Roof



L38-X	14" D x 38" W x 58" H	78 lbs	5 Shelves (11", 13", 13", 13", 13")	—	—	1 hr	Yes
L42-X	14" D x 42" W x 58" H	82 lbs	5 Shelves (11", 13", 13", 13", 13")	—	—	1 hr	Yes
L56-X	14" D x 56" W x 58" H	99 lbs	5 Shelves (11", 13", 13", 13", 13")	—	—	1 hr	Yes
L70-X	14" D x 70" W x 58" H	115 lbs	5 Shelves (11", 13", 13", 13", 13")	—	—	1 hr	No



SHELVING – SQUARE BACK SHELVING UNIT

Square Back Shelving Unit

Steel



Transit
Med/High Roof



L87-X	14" D x 87" W x 58" H	141 lbs	5 Shelves (11", 13", 13", 13", 13")	—	—	1 hr	No
--------------	-----------------------	---------	-------------------------------------	---	---	------	----



Square Back Shelving Unit with Dividers

Steel



Transit
Low Roof



F38-R	14" D x 38" W x 46" H	63 lbs	3 Shelves (13", 13", 13")	6	Y12-D	1 hr	No
F42-R	14" D x 42" W x 46" H	66 lbs	3 Shelves (13", 13", 13")	6	Y12-F	1 hr	No
F56-R	14" D x 56" W x 46" H	81 lbs	3 Shelves (13", 13", 13")	8	Y12-J	1 hr	No
F70-R	14" D x 70" W x 46" H	94 lbs	3 Shelves (13", 13", 13")	8	Y12-C	1 hr	No



Square Back Shelving Unit with Dividers

Steel



Transit
Low Roof



F87-R	14" D x 87" W x 46" H	118 lbs	3 Shelves (13", 13", 13")	12	Y12-F	1 hr	Yes
--------------	-----------------------	---------	---------------------------	----	-------	------	-----



Square Back Shelving Unit with Dividers

Steel



Transit
Med/High Roof



F38-X	14" D x 38" W x 58" H	70 lbs	4 Shelves (9", 13", 13", 13")	9	Y12-D	1 hr	No
F42-X	14" D x 42" W x 58" H	74 lbs	4 Shelves (9", 13", 13", 13")	9	Y12-F	1 hr	Yes
F56-X	14" D x 56" W x 58" H	88 lbs	4 Shelves (9", 13", 13", 13")	12	Y12-J	1 hr	Yes
F70-X	14" D x 70" W x 58" H	102 lbs	4 Shelves (9", 13", 13", 13")	12	Y12-C	1 hr	Yes



SHELVING

SQUARE BACK SHELVING UNIT WITH DIVIDERS – SHELVING

Square Back Shelving Unit with Dividers

Steel



Transit
Med/High Roof



F87-X	14" D x 87" W x 58" H	125 lbs	4 Shelves (9", 13", 13", 13")	18	Y12-F	1 hr	Yes
--------------	-----------------------	---------	-------------------------------	----	-------	------	-----



SHELVING



SHELVING – DOORS



Shelving Doors

Aluminum					
		Use with shelf width			
7720	44.88" W x 8.69" H	48", 96"	7 lbs	0.5 hr	No
7722	56.88" W x 8.69" H	60"	9 lbs	0.5 hr	No
7723	32.88" W x 8.69" H	36", 72"	5 lbs	0.5 hr	No
7724	20.88" W x 8.69" H	24"	4 lbs	0.5 hr	No
7725	44.88" W x 10.38" H	48", 96"	8 lbs	0.5 hr	Yes
7727	56.88" W x 10.38" H	60"	9 lbs	0.5 hr	No
7728	32.88" W x 10.38" H	36", 72"	6 lbs	0.5 hr	Yes
7729	20.88" W x 10.38" H	24"	4 lbs	0.5 hr	No
7730	44.88" W x 12.06" H	48", 96"	8 lbs	0.5 hr	Yes
7731	38.88" W x 12.06" H	84"	8 lbs	0.5 hr	No
7732	56.88" W x 12.06" H	60"	10 lbs	0.5 hr	No
7733	32.88" W x 12.06" H	36", 72"	6 lbs	0.5 hr	No
7734	20.88" W x 12.06" H	24"	5 lbs	0.5 hr	No
7735	44.88" W x 13.75" H	48", 96"	9 lbs	0.5 hr	No
7737	56.88" W x 13.75" H	60"	11 lbs	0.5 hr	No
7738	32.88" W x 13.75" H	36", 72"	7 lbs	0.5 hr	No
7739	20.88" W x 13.75" H	24"	5 lbs	0.5 hr	No



Shelf Block

Aluminum					
		Use with shelf width			
7740	12" W x Adjustable from 11¼" to 16 5/16"	All	3 lbs	0.5 hr	No



Shelving Doors

Steel					
		Use with shelf width			
Y10-C	34.88" W x 8.69" H	70"	9 lbs	0.5 hr	Yes
Y10-D	37.88" W x 8.69" H	38"	10 lbs	0.5 hr	No
Y10-F	41.88" W x 8.69" H	42", 87"	12 lbs	0.5 hr	Yes
Y10-H	47.88" W x 8.69" H	48"	14 lbs	0.5 hr	No
Y10-M	31.88" W x 8.69" H	32"	8 lbs	0.5 hr	No
Y11-C	34.88" W x 10.38" H	70"	10 lbs	0.5 hr	Yes
Y11-D	37.88" W x 10.38" H	38"	11 lbs	0.5 hr	Yes
Y11-E	35.88" W x 10.38" H	36"	10.5 lbs	0.5 hr	No
Y11-F	41.88" W x 10.38" H	42", 87"	13 lbs	0.5 hr	Yes
Y11-M	31.88" W x 10.38" H	32"	8 lbs	0.5 hr	No
Y12-C	34.88" W x 12.06" H	70"	10 lbs	0.5 hr	No
Y12-D	37.88" W x 12.06" H	38"	12 lbs	0.5 hr	No
Y12-F	41.88" W x 12.06" H	42", 87"	14 lbs	0.5 hr	No
Y12-M	31.88" W x 12.06" H	32"	8 lbs	0.5 hr	No



Shelving Doors

Steel					
		Use with shelf width			
Y10-J	55.88" W x 8.69" H	56"	15 lbs	0.5 hr	No
Y11-J	55.88" W x 10.38" H	56"	16 lbs	0.5 hr	No
Y12-J	55.88" W x 12.06" H	56"	17 lbs	0.5 hr	No



7115

Locker w/top shelf

Aluminum



Transit
Low Roof



16.5" D x 14" W x 43.5" H



30 lbs



1 hr



Yes

7120

Locker w/top shelf

Aluminum



Transit
Med/High Roof



15.5" D x 14" W x 62.5" H



35 lbs



1 hr



Yes

7207

Workbench w/hardwood top,
no shelves

Aluminum

UNIVERSAL



18" D x 48" W x 36" H



54 lbs



0.5 hr



No

7208

Workbench w/hardwood top,
one end panel
(Drawer cabinet not included)

Aluminum

UNIVERSAL



18" D x 48" W x 36" H



47 lbs



0.5 hr



No

7209

Workbench w/hardwood top,
1 shelf

Aluminum

UNIVERSAL



18" D x 48" W x 36" H



65 lbs



1 hr



Yes

7210

Workbench w/hardwood top, 1
shelf w/door

Aluminum

UNIVERSAL



18" D x 48" W x 36" H



75 lbs



1.2 hrs



No



SHELVING – WORKBENCHES

7211

Workbench w/hardwood top, 2 bin shelves

Aluminum

UNIVERSAL



18" D x 48" W x 36" H



75 lbs



1 hr



No

7247

Workbench w/hardwood top, one end panel (Drawer cabinet not included)

Aluminum

UNIVERSAL



18" D x 48" W x 28" H



47 lbs



1 hr



No

7248

Workbench w/hardwood top, 2 bin shelves

Aluminum

UNIVERSAL



18" D x 48" W x 28" H



75 lbs



1 hr



Yes

J48-X

Square back unit with 1 open shelf & 1 workbench

Steel



Transit
Med/High Roof



14" D x 48" W x 58" H



85 lbs



1 hr



No

K48-X

Square back unit with 1 open shelf, 1 workbench & 1 pull out drawer

Steel



Transit
Med/High Roof



14" D x 48" W x 58" H



105 lbs



1 hr



No

We have the equipment that you need to help you be more efficient and well organized.

All layouts are designed to ensure that tools and equipment is safely and securely stored.



SHELVING



QUIET

The combination of the extrusion, shelf tray, and end-panels create durable, vibration-free shelves.



EFFICIENT

Ergonomic design reduces injuries and increases productivity.



TOUGH

Extrusion builds durability into shelf.



DRAWERS

Durable storage compartments, designed for quick and easy access.



TOUGH

Proline drawers are backed by a 10 year warranty.



QUICK

Easy to use slam latch.



SECURE

Keyed lock to guard valuables.

DRAWERS

ACCESS TRAY P. 64

COMPACT DRAWERS P. 68

PARTSKEEPERS..... P. 69

PARTSLIDERS..... P. 66

TOOL DRAWERS P. 70

Ranger Design manufactures a variety of tough, quiet drawer systems and storage modules. Using top quality components such as full-extension, high-capacity ball-bearing drawer slides, secure locks, and Ranger Design's unique braided stainless steel cable-pull handles. These drawers are the organizational quality that you deserve.

If you never again want to experience the frustration of drawers that jam, sag, and don't latch properly, we have the solution.



DRAWERS



5032-0

Axess Tray with 1 shelf / no drawers

Aluminum

38" D x 45" W x 30" H

—

51 lbs

0.9 hr

No



5032-1

Axess Tray with 1 shelf / 1 drawer

Aluminum

38" D x 45" W x 30" H

200 lbs

89 lbs

1 hr

Yes



5032-2

Axess Tray with 1 shelf / 2 drawers

Aluminum

38" D x 45" W x 30" H

200 lbs

127 lbs

1.1 hrs

No



5032-3

Axess Tray with 1 shelf / 3 drawers

Aluminum

38" D x 45" W x 30" H

200 lbs

165 lbs

1.2 hrs

No



5032-A

Axess Tray drawer only,
complete with slides

Aluminum

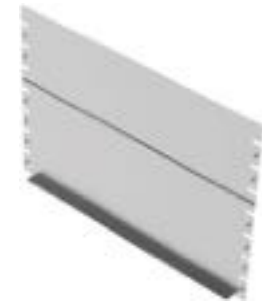
38" D x 45" W

—

38 lbs

—

No



5032-F

Axess Tray full back panel for 5032 series

Aluminum

41" W x 27.25" H

—

8 lbs

0.25 hr

No



5037-0

Axess Tray with 1 shelf / no drawers

Aluminum

38" D x 45" W x 42" H

—

55 lbs

1 hr

No



5037-1

Axess Tray with 1 shelf / 1 drawer

Aluminum

38" D x 45" W x 42" H

200 lbs

93 lbs

1.1 hrs

No



5037-2

Axess Tray with 1 shelf / 2 drawers

Aluminum

38" D x 45" W x 42" H

200 lbs

131 lbs

1.2 hrs

No



5037-3

Axess Tray with 1 shelf / 3 drawers

Aluminum

38" D x 45" W x 42" H

200 lbs

169 lbs

1.3 hrs

No



5037-A

Axess Tray drawer only, c/w slides

Aluminum

38" D x 45" W

—

38 lbs

—

No



5037-F

Axess Tray full back panel for 5037 series

Aluminum

41" W x 39.25" H

—

11 lbs

0.25 hr

No



DRAWERS



5040

Cab box with locking lid, Mini-Van

Aluminum

20" D x 6.5" W x 15.75" H

—

11 lbs

0.5 hr

No



5010

Partslider drawer

Aluminum

48" D x 12" W x 6" H

150 lbs

30 lbs

0.5 hr

Yes



5011

Partslider drawer

Aluminum

36" D x 12" W x 6" H

150 lbs

26 lbs

0.5 hr

No

DRAWERS



5020 Tool drawer mounted with its complementary **5010** Partslider drawer and **5048** Top edge.



5014

Floor mount kit for 5010 / 5011 Partslider drawer

Aluminum

	—
	—
	1 lb
	—
	No



5048

Top edge, for 5010 Partslider

Aluminum

	48" D x 12" W x 4" H
	—
	5 lbs
	0.2 hr
	Yes



5051

Top edge, for 5011 Partslider

Aluminum

	36" D x 12" W x 4" H
	—
	4 lbs
	0.2 hr
	No



5060-5

5 Drawer cabinet and 1 door

Aluminum

	18" D x 24" W x 36" H
	150 lbs
	104 lbs
	1 hr
	No



5060-6

6 Drawer cabinet

Aluminum

	18" D x 24" W x 36" H
	150 lbs
	114 lbs
	1 hr
	No



5060-8

8 Drawer cabinet

Aluminum

	18" D x 24" W x 36" H
	150 lbs
	148 lbs
	1 hr
	No

DRAWERS



5066-8
8 Drawer cabinet

Aluminum

	20.5" D x 24" W x 56" H
	150 lbs
	168 lbs
	1 hr
	No



5067-6
6 Drawer cabinet

Aluminum

	18" D x 18" W x 28" H
	150 lbs
	97 lbs
	0.5 hr
	No



5068-3
3 Drawer cabinet

Aluminum

	18" D x 15" W x 15" H
	150 lbs
	45 lbs
	0.5 hr
	Yes

DRAWERS



5069-2
2 Drawer cabinet

Aluminum

	14" D x 24" W x 12" H
	150 lbs
	34 lbs
	0.5 hr
	Yes



X50-B
Compact 2-Drawer Unit

Steel

	12.5" D x 18.5" W x 10.5" H
	—
	19 lbs
	0.3 hr
	Yes



X50-C
Compact 3-Drawer Unit

Steel

	12.5" D x 18.5" W x 10.5" H
	—
	20 lbs
	0.3 hr
	Yes



X51-F

Compact 9-Drawer Unit

Steel

12" D x 17" W x 12" H

—

26 lbs

0.3 hr

Yes



5070

Partskeeper carry case with holder, universal

Aluminum

14" D x 17" W x 5.5" H

—

7 lbs

0.3 hr

Yes



5072

Partskeeper carry case with holder, floor mount

Aluminum

14" D x 17" W x 8.75" H

—

7 lbs

0.3 hr

No



5078

Partskeeper cabinet with 4 carry cases

Aluminum

14" D x 17" W x 24" H

—

34 lbs

0.3 hr

Yes



Two 5078 Partskeeper cabinet mounted side by side.

DRAWERS



5079

Partskeeper carry case

Plastic

13" D x 16.5" W x 4" H

—

3 lbs

—

No



5082

Partskeeper cabinet with 8 carry cases

Aluminum

14" D x 17" W x 43" H

—

54 lbs

1 hr

Yes



5083

Partskeeper cabinet with 5 carry cases & 2 shelves

Aluminum

14" D x 17" W x 43" H

—

41 lbs

1 hr

Yes



5086

Partskeeper cabinet with 8 carry cases & 2 shelves

Aluminum

14" D x 17" W x 62.5" H

—

65 lbs

1 hr

Yes



5020

Tool drawer

Aluminum

48" D x 14" W x 16" H

320 lbs

70 lbs

1 hr

Yes



5021

Tool drawer

Aluminum

36" D x 14" W x 16" H

320 lbs






60 lbs

1 hr

No








5025
Jumbo tool drawer

Aluminum	
	48" D x 16" W x 19" H
	320 lbs
	84 lbs
	1 hr
	Yes








5026
Jumbo tool drawer

Aluminum	
	36" D x 16" W x 19" H
	320 lbs
	73 lbs
	1 hr
	No








5028
Raised base for 5020 tool drawer

Aluminum	
	6" D x 14" W x 6" H
	—
	8 lbs
	0.5 hr
	No








5029
Raised base for 5025 Jumbo tool drawer

Aluminum	
	6" D x 16" W x 6" H
	—
	8 lbs
	0.5 hr
	No



X02-A
Fleetline Tool Drawer

Steel	
	45.5" D x 13.5" W x 22" H
	—
	80 lbs
	1 hr
	Yes



X50-C and X50-B

ACCESSORIES

Choose the finishing details to tailor the upfit to your specific needs.

BINS P. 73
BOTTLE HOLDERS P. 74
HOOKS P. 77
OTHERS P. 77
PAPER HOLDERS P. 80
WINDOW GRILLS P. 81

The finishing details are just as important when you're setting up your commercial van as they are when you're on the job site.

Customize your vehicle with our wide range of options to ensure that you can perform with optimal efficiency.



VERSATILE

Removable storage bins ensure organization on the jobsite or on the go.



SECURE

Trade specific accessories with a place for all tools and supplies.



PRODUCTIVE

Stay productive with the most used items well within reach.



6205

Bin cup

Plastic

4.5" D x 3.25" W x 3.75" H

0.12 lb

No



6211

Small Bin, Graphite

Plastic

6.5" D x 4" W x 3" H

0.24 lb

Yes



6212

Divider for 6211 small bin

Aluminum

No



6221

Medium Bin, Graphite

Plastic

10" D x 6" W x 4.5" H

0.56 lb

Yes



6222

Divider for 6221 medium bin

Aluminum

No



6231

Large Bin, Graphite

Plastic

14" D x 8" W x 5.5" H

1.3 lbs

Yes

NEW RANGER DESIGN GRAPHITE BINS



BENEFIT

New graphite bin color provides a neutral balance that allows for more light and blends easily with existing colors.

ACCESSORIES

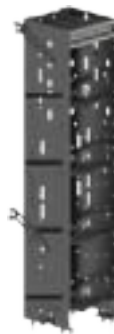


6232

Divider for 6231 large bin

Aluminum

	–
	–
	–
	No



6001

4 Tier refrigerant rack for large bottles

Aluminum

	14" D x 13" W x 62.5" H
	34 lbs
	0.7 hr
	No

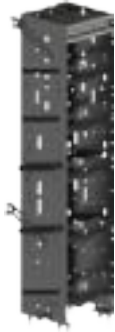


6002

5 Tier refrigerant rack for small bottles

Aluminum

	14" D x 10.5" W x 62.5" H
	36 lbs
	0.7 hr
	No



6003

5 Tier refrigerant rack for large bottles

Aluminum

14" D x 13" W x 62.5" H

36 lbs

0.7 hr

Yes



6006

3 Tier refrigerant rack for small bottles

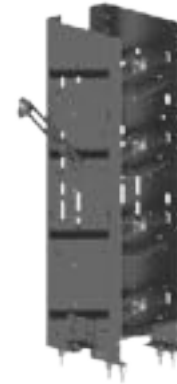
Aluminum

14" D x 10.5" W x 43" H

20 lbs

0.6 hr

No



6007

4 Tier refrigerant rack for small bottles

Aluminum

14" D x 10.5" W x 43" H

22 lbs

0.6 hr

Yes



6008

3 Tier refrigerant rack for large bottles

Aluminum

14" D x 13" W x 43" H

25 lbs

0.6 hr

No



6010

Two level adjustable bottle holder

Aluminum

10.25" D x 9.5" W x 36" H

5 lbs

0.4 hr

No



6002 5 Tier refrigerant rack for small bottles

ACCESSORIES



6020

Horizontal refrigerant bottle holder

Aluminum

12.5" D x 48" W x 13" H

17 lbs

0.5 hr

No



6030

Bottle rack with straps

Aluminum

48" W

4 lbs

0.5 hr

No



6035

Bottle rack with straps

Aluminum

60" W

5 lbs

0.5 hr

No



6041

Locking cabinet

Aluminum

15" D x 15.5" W x 33" H

26 lbs

0.7 hr

No



6049

Ventilation kit for cabinet

Aluminum

-

-

-

No



6088

Large aluminum bottle holder, with two black nylon straps

Aluminum

8" W x 24" H

2 lbs

0.2 hr

Yes



6086

Small aluminum bottle holder, with a black nylon strap

Aluminum

6" W x 12" H

1 lb

0.2 hr

Yes



6070

6" Hook, 3" opening, painted

Steel

3" D

0.4 lb

0.2 hr

Yes



6072

8" Swivel Hook, 4" opening, painted

Steel

4" D

0.6 lb

0.2 hr

Yes



6073

Large aluminum movable hook, 6.5" opening

Aluminum

6.5" D x 2.75" W x 4" H

1 lb

0.01 hr

Yes



Y30-C

Coat Hook, 1" opening, chrome plated

Steel

1" D

0.1 lb

0.2 hr

Yes



1130

Elevated strobe mount

Aluminum

8" W

1 lb

0.1 hr

No

ACCESSORIES



6050

Flettner vent, rotary design

Plastic

8.88" D

1.5 lbs

1 hr

No



6052

Vise Holder with an 8"x8" mounting plate

Steel

—

37 lbs

0.5 hr

No



6054

Hitch Step, comes with hitch pin to fit a 2"x2" hitch

Aluminum

6" D x 12" W

4 lbs

—

No



6057

Can Holder

Aluminum

3" D x 8.5" W x 3" H

1 lb

0.2 hr

No



6075

Transport tube door, for 6" diameter tube with stainless steel hardware

Aluminum

6" D

2 lbs

0.2 hr

No



6078

Cradle & strap kit for 6" dia. transport tube (one cradle and one strap)

Aluminum

6" D

1 lb

0.1 hr

No



6079

Transport tube door kit complete (6" dia. PVC tube not included)

Aluminum

	6" D
	6 lbs
	0.8 hr
	No



6082

Triangle kit with aluminum holder

Other

	–
	14 lbs
	0.2 hr
	No



6090

Back up alarm, die cast housing, fully encapsulated circuitry

Other

	–
	1 lb
	1 hr
	No

RANGER PARTSKEEPER

The Ranger Partskeeper helps the mobile technician to take small parts anywhere on the job site and save return trips to the van. Removable bins included.

P.70



ACCESSORIES



6091

Surface mount tie down ring, zinc plated

Steel

□ 4" D

⬆ 0.4 lb

🕒 0.2 hr

⚙ No



6092

Dome Light, chrome finish housing

Other

□ 8.5" D

⬆ 1 lb

🕒 1 hr

⚙ No



6093

Grab handle

Plastic

□ 9.5" D

⬆ 0.1 lb

🕒 0.5 hr

⚙ No



7124

Reel Holder with two 5/8" diameter rods

Aluminum

□ 7.25" D x 15" W x 24" H

⬆ 9 lbs

🕒 0.5 hr

⚙ Yes



6061

Paper Holder, extra deep, 2 slots

Aluminum

□ 3.75" D x 12.75" W x 12" H

⬆ 2 lbs

🕒 0.2 hr

⚙ No



6063

Paper Holder, extra deep, 5 slots

Aluminum

□ 3.75" D x 12.75" W x 24" H

⬆ 5 lbs

🕒 0.2 hr

⚙ Yes



6066

2 Pocket Holder, comes with 8 plastic bins

Aluminum

4.5" D x 20" W x 21.75" H

7.5 lbs

0.2 hr

No



6068

Hard Hat Holder, painted wire

Steel

-

0.5 lb

0.2 hr

No



Y31-A

Paper Holder, extra deep, 3 slots

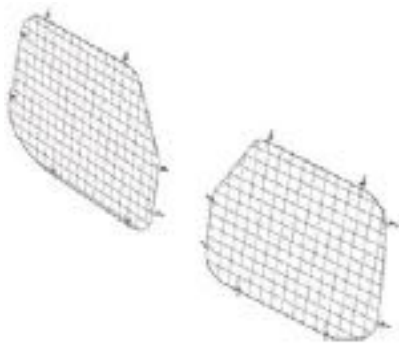
Steel

3.75" D x 12.75" W x 16" H

9 lbs

0.2 hr

Yes



6120

Set of 2 rear window grills

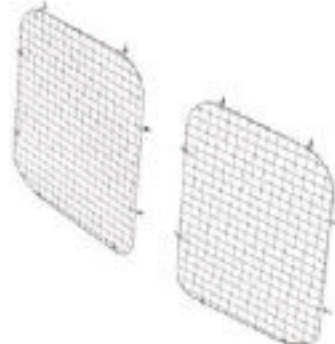
Steel

Low Roof

8 lbs

0.2 hr

No



6121

Set of 2 rear window grills

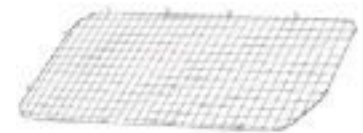
Steel

Medium Roof

8 lbs

0.2 hr

No



6122

Window grill, passenger side sliding door

Steel

Low Roof

8 lbs

0.2 hr

No



6123

Window grill, passenger side sliding door

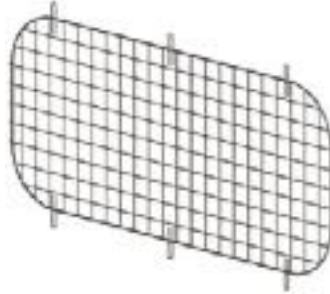
Steel

Medium Roof

8 lbs

0.2 hr

No



3044

Grill for partition window
for 3020, 3025, 3068

Aluminum

—

2 lbs

0.5hr

No



3024

Partition window with frame
for 3020, 3025, 3068

Aluminum

—

5 lbs

0.5 hr

No

INTRODUCING THE NEW RANGER DESIGN

SEAT COVERS



Our key advantages are:

- > Tight custom fit for each vehicle
- > Durable material and easy maintenance
- > Urethane coating to make the fabric water and stain resistant
- > Machine wash and dryer safe
- > Easy installation within 30 minutes for a set
- > No interference with factory seat functions: heat, cold, air bag
- > Minimal seams
- > Guaranteed to stay in place
- > Puncture resistant
- > Durable Cordura® fabric with a 1 year warranty

6255

Seat covers

4 lbs

0.5 hr

Yes





TOUGH

Military grade aluminum extrusion, high density plastic and stainless steel components ensure no corrosion over the lifetime of the rack.



QUIET

Aerodynamic design with minimal wind noise.



SAFE

No metal contact to ladder, leading to longer life of ladders with less chance of fiberglass splinters.

LADDER RACKS

Ergonomic Ladder Racks make loading and unloading easier.

Ranger ladder racks make loading and unloading ladders an easy operation. Ranger Design offers drop-down ladder racks for high roof vans, extra tough racks capable of carrying 28' ladders on compact vans, interior ladder carriers and many other options for different applications.

Please take note that all our ladder racks are powder-coated white.



LADDER RACKS



Access Pro, Inside Ladder Carrier

Aluminum							
1050-FS	130", 148", 148" Ext	Low, Medium, High	96" W	9 lbs			1 hr



Ladder rack accessory

Aluminum							
1127	130", 148", 148" Ext	Low, Medium, High	23" W	18 lbs			0.5 hr



Third bar crossbow kit for Max Rack

Aluminum							
15-1805	130", 148", 148" Ext	Low, Medium, High	72" W	200 lbs	10 lbs		0.5 hr



Passenger Side Retrofit kit

Aluminum							
15-1810	130", 148", 148" Ext	Low, Medium, High		57 lbs			1 hr



Driver Side Retrofit kit

Aluminum							
15-1815	130", 148", 148" Ext	Low, Medium, High		57 lbs			1 hr



Cargo rack

Aluminum							
1505-FTR	130"	Low, Medium	72" W	480 lbs	18 lbs		0.8 hr
1505-FTL	148", 148" Ext	Low, Medium, High	72" W	480 lbs	18 lbs		0.8 hr



Cargo rack

Aluminum							
1505-FTR3	130"	Low, Medium	72" W	720 lbs	27 lbs		1.2 hrs
1505-FTL3	148", 148" Ext	Low, Medium, High	72" W	720 lbs	27 lbs		1.3 hrs



Standard ladder rack

Aluminum							
1510-FTR	130"	Low, Medium	72" W	400 lbs	21 lbs		0.8 hr
1510-FTL	148", 148" Ext	Low, Medium, High	72" W	400 lbs	21 lbs		0.8 hr



Standard ladder rack

Aluminum							
1510-FTR3	130"	Low, Medium	72" W	60 lbs			1.2 hrs
1510-FTL3	148", 148" Ext	Low, Medium, High	72" W	52 lbs			1.2 hrs



Single clamp ladder rack

Aluminum							
1520-FTR	130"	Low, Medium	72" W	400 lbs	34 lbs	32 ft	1.2 hrs
1520-FTL	148", 148" Ext	Low, Medium, High	72" W	400 lbs	34 lbs	32 ft	1.2 hrs



Combination ladder rack

Aluminum							
1525-FTR	130"	Low, Medium	72" W	400 lbs	49 lbs	32 ft	1.7 hrs
1525-FTL	148", 148" Ext	Low, Medium, High	72" W	400 lbs	49 lbs	32 ft	1.7 hrs



Combination ladder rack

Aluminum							
1525-FTR3	130"	Low, Medium	72" W	600 lbs	57 lbs	32 ft	2.1 hrs
1525-FTL3	148", 148" Ext	Low, Medium, High	72" W	600 lbs	57 lbs	32 ft	2.1 hrs



Double clamp ladder rack

Aluminum							
1530-FTR	130"	Low, Medium	72" W	400 lbs	50 lbs	32 ft	1.7 hrs
1530-FTL	148", 148" Ext	Low, Medium, High	72" W	400 lbs	50 lbs	32 ft	1.7 hrs



Double clamp ladder rack

Aluminum							
1530-FTR3	130"	Low, Medium	72" W	600 lbs	58 lbs	32 ft	2.1 hrs
1530-FTL3	148", 148" Ext	Low, Medium, High	72" W	600 lbs	58 lbs	32 ft	2.1 hrs



Max Rack, Single side ladder rack

Aluminum							
1820-FTR	130"	Low, Medium	72" W	100 lbs	82 lbs	24 ft	2 hrs
1820-FTL	148", 148" Ext	Low, Medium, High	72" W	100 lbs	82 lbs	32 ft	2 hrs



Max Rack, Double side ladder rack

Aluminum							
1830-FTR	130"	Low, Medium	72" W	200 lbs	139 lbs	24 ft	3 hrs
1830-FTL	148", 148" Ext	Low, Medium, High	72" W	200 lbs	139 lbs	32 ft	3 hrs



MAX RACK

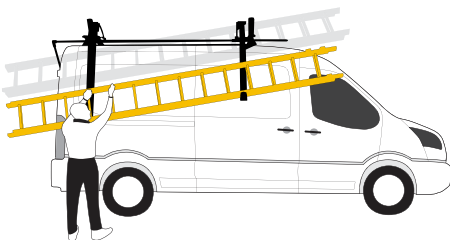
DESIGNED FOR HIGH ROOF VANS

SAFE & EASY TO USE

50" OF TRAVEL

The Max Rack drops lower in one movement than any other rack in the industry.

- Max Rack
- Competitor's rack



- › Two pressurized gas shocks support the weight of the ladder, assist in lifting and lowering the ladder and also hold it in the closed position.
- › Max Rack is adjustable to fit most ladders.

LOW PROFILE

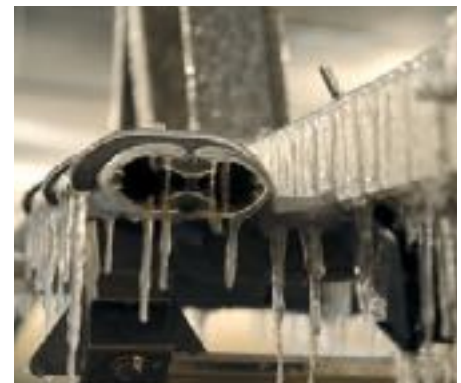
There is less chances of the Max Rack hitting low hanging objects.



- › Ladders only touch composite materials, reducing ladder wear.
- › Comes down in one single motion.

EXTREME WEATHER PROOF

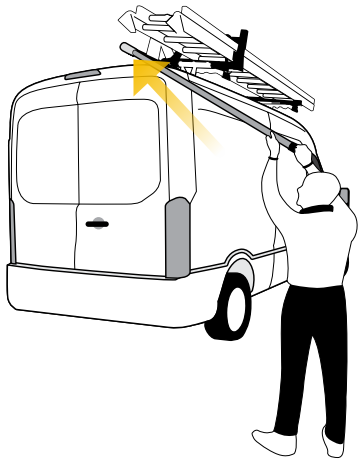
The Max Rack was put through extreme weather testing.



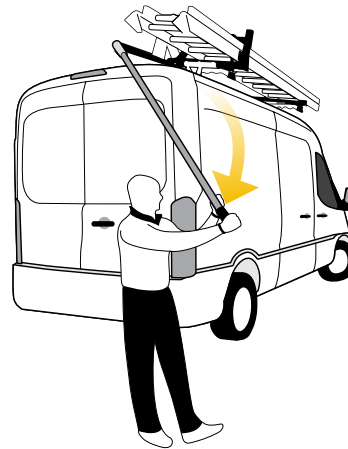
CYCLE TESTING

The Max Rack completed over 4300 cycles, which represents approximately 15 years of normal use.

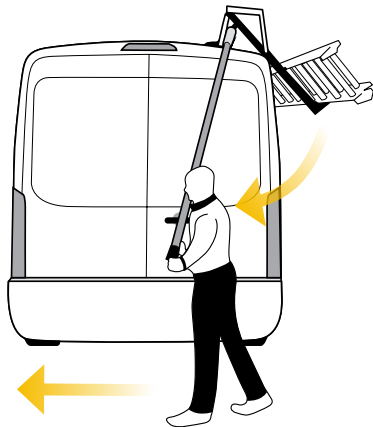
MAX RACK IS FAST AND EASY TO OPERATE



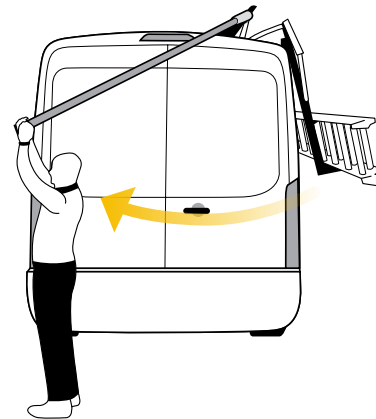
1
STEP ONE
With both hands, insert the control arm into the Max Rack.



2
STEP TWO
Pull the control arm down towards you.



3
STEP THREE
Turn around. Push the control arm forward.



4
STEP FOUR
Continue to push the control arm until the Max Rack has finished its descent.

RACK CAPACITY



STEP LADDERS
8' AND 10'

Fits all Max Racks
The weight capacity per single Max Rack is 100lbs.



	SINGLE DROP DOWN	DOUBLE DROP DOWN	THIRD BAR OPTION	MAXIMUM LADDER LENGTH
Regular Wheelbase Standard & Medium Roof	1820-FTR	1830-FTR	15-1805	24ft
Long/Extended Wheelbase Standard, Medium & High Roof	1820-FTL	1830-FTL	15-1805	32ft

Over 350 Distributors Across the Continent

Regular Order

Quickship Order

Buy

Contact one of our 350 distributors
rangerdesign.com/find-dealer.

Ranger Quickship service is available
through your local distributor.

**Lead
Time**

Orders ship from our factory within
5 business days.

Orders placed with Ranger before 1PM EST will
ship from our factory in the next business day.



Throughout the catalog products and packages with this symbol
can be ordered through our Quickship service.

Turn-Key Fleet Services



Ship Through or Local Installation Across North America for all Types of Cargo Vans

We are pleased to offer efficient, personalized service and to answer all questions regarding:

1. Analysis

- › Cargo Needs Analysis
- › Custom 3D CAD Layouts
- › Hands-on Equipment Demo

2. Testing

- › Test Fitting
- › Pilot Build and Review
- › Optimize Package Based on Technician Feedback

3. Delivery

- › Delivery, Production and Installation Planning and Scheduling
- › Vehicle Status Tracking

4. Service

- › Dedicated Fleet Account Management Team
- › 300 Ranger Distributor Service Support Network
- › Live Customer Service

INDEX

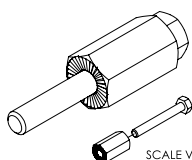
1050-FS	84	5032-0	64	6068	81	7729	58
1127	84	5032-1	64	6070	77	7730	58
1130	77	5032-2	64	6072	77	7731	58
15-1805	84	5032-3	64	6073	77	7732	58
15-1810	84	5032-A	64	6075	78	7733	58
15-1815	84	5032-F	64	6078	78	7734	58
1505-FTL	84	5037-0	65	6079	79	7735	58
1505-FTL3	84	5037-1	65	6082	79	7737	58
1505-FTR	84	5037-2	65	6086	77	7738	58
1505-FTR3	84	5037-3	65	6088	76	7739	58
1510-FTL	85	5037-A	65	6090	79	7740	58
1510-FTL3	85	5037-F	65	6091	80	7848	54
1510-FTR	85	5040	66	6092	80	8436-2	53
1510-FTR3	85	5048	67	6093	80	8448-2	53
1520-FTL	85	5051	67	6120	81	8448-3	53
1520-FTR	85	5060-5	67	6121	81	8458-2	53
1525-FTL	85	5060-6	67	6122	81	8458-3	53
1525-FTL3	85	5060-8	67	6123	82	8472-2	53
1525-FTR	85	5066-8	68	6205	73	8472-3	53
1525-FTR3	85	5067-6	68	6211	73	8548-2	53
1530-FTL	85	5068-3	68	6212	73	8558-2	53
1530-FTL3	85	5069-2	68	6221	73	8572-2	53
1530-FTR	85	5070	69	6222	73	BB36	48
1530-FTR3	85	5072	69	6231	73	BB48	48
1820-FTL	85	5078	69	6232	74	BB60	48
1820-FTR	85	5079	70	6255	82	BC36	48
1830-FTL	85	5082	70	6540-FTS	11	BC36-5	49
1830-FTR	85	5083	70	6540-FTL	11	BC48	48
3010-FTH	14	5086	70	6540-FTX	11	BC48-5	49
3010-FTL	14	6001	74	7108	48	BC60	48
3010-FTM	14	6002	74	7109	48	BC60-5	49
3020-FTH	15	6003	75	7115	59	C10-FTL	15
3020-FTL	14	6006	75	7120	59	C12-FTL	16
3020-FTM	15	6007	75	7124	80	C20-FTH	16
3024	82	6008	75	7207	59	C20-FTL	16
3044	82	6010	75	7208	59	C20-FTM	16
3068-FTH	15	6020	76	7209	59	C24-FTH	17
3068-FTM	15	6030	76	7210	59	C24-FTL	16
3320-FTL	15	6035	76	7211	60	C24-FTM	16
5010	66	6041	76	7247	60	C30-FTH	17
5011	66	6049	76	7248	60	C30-FTL	17
5014	67	6050	78	7720	58	C30-FTM	17
5020	70	6052	78	7722	58	F111	26
5021	70	6054	78	7723	58	F112	30
5025	71	6057	78	7724	58	F116	34
5026	71	6061	80	7725	58	F119	44
5028	71	6063	80	7727	58	F211	26
5029	71	6066	81	7728	58	F212	30

F216	34	H38-X	54	RB60	49	Y10-B	58
F219	44	H42-R	54	RC48	49	Y10-C	58
F311	26	H42-T	51	RC60	49	Y10-D	58
F312	31	H42-X	54	SB36-3	49	Y10-F	58
F316	34	H56-R	54	SB36-4	50	Y10-H	58
F319	44	H56-T	51	SB48-3	49	Y10-J	58
F38-R	56	H56-X	54	SB48-4	50	Y10-M	58
F38-T	52	H70-R	54	SB60-3	49	Y11-C	58
F38-X	56	H70-T	51	SB60-4	50	Y11-D	58
F411	27	H70-X	54	SB72-3	50	Y11-E	58
F412	31	H87-R	54	SB72-4	50	Y11-F	58
F416	35	H87-T	52	SB84-3	50	Y11-J	58
F419	45	H87-X	55	SB84-4	50	Y11-M	58
F42-R	56	J48-X	60	SB96-3	50	Y12-C	58
F42-T	52	K48-X	60	SB96-4	50	Y12-D	58
F42-X	56	L38-R	55	SC36-4	50	Y12-F	58
F511	27	L38-T	52	SC36-5	51	Y12-J	58
F512	32	L38-X	55	SC48-4	50	Y12-M	58
F516	35	L42-R	55	SC48-5	51	Y30-C	77
F519	45	L42-T	52	SC60-4	50	Y31-A	81
F56-R	56	L42-X	55	SC60-5	51	Z10-F1	22
F56-T	52	L56-R	55	SC72-4	51	Z10-F2	22
F56-X	56	L56-T	52	SC72-5	51	Z10-F3	22
F70-R	56	L56-X	55	SC84-4	51	Z10-F4	23
F70-T	52	L70-R	55	SC84-5	51	Z10-F5	23
F70-X	56	L70-T	52	SC96-4	51	Z16-F1	38
F87-R	56	L70-X	55	SC96-5	51	Z16-F2	38
F87-T	53	L87-R	55	X02-A	71	Z16-F3	39
F87-X	57	L87-T	52	X50-B	68	Z16-F4	39
H38-R	54	L87-X	56	X50-C	68	Z16-F5	40
H38-T	51	RB48	49	X51-F	69		

INSTALL KITS



Product #	Transit Regular Wheelbase, Low Roof	Transit Long Wheelbase, Low Roof	Transit Regular Wheelbase, Medium Roof	Transit Long Wheelbase Medium/High Roof	Transit Long Wheelbase Extended High Roof
5025, 5020, X02-A	6473 (5020, X02-A) 6474 (5025)	6473 (5020, X02-A) 6474 (5025)	6473 (5020, X02-A) 6474 (5025)	6473 (5020, X02-A) 6474 (5025)	6473 (5020, X02-A) 6474 (5025)
All Shelving, Lockers and Drawers Driver side	6430	6432	6434	6436	6438
All Shelving Passenger side	6431	6433	6435	6437	6439
All Fold-Away Shelving Driver side	84-7119	84-7121	84-7123	84-7125	84-7127
All Fold-Away Shelving Passenger side	84-7120	84-7122	84-7124	84-7126	84-7128



SCALE VIEW 3:1

The Plus Nut/Riv-Nut tool (#6490) is available at no charge upon request.

Maximize Cargo Capacity & Vehicle Performance With Contractor Grade, Organized Storage Systems

When you want the perfect upfit solution for your work vehicle, turn to Ranger Design. Tested for toughness, Ranger's shelving and upfits will take whatever abuse you can dish out. Their unsurpassed craftsmanship, combined with ideal fit and finish, provide a quiet ride with no rattles.



THE PERFECT FIT
FOR YOUR TOUGHEST JOBS

CUSTOMER SERVICE

cs@rangerdesign.com
1-800-565-5321
rangerdesign.com

